



catalogue



"Welcome to the Meissen Family"

"Wir heißen sie herzlich willkommen in der Meissen Familie"

Sophistication through simplicity.

Raffinesse durch Einfachheit.





The Meissen ranges of clean, innovative and elegant taps is inspired by the magnificent and timeless mountain ranges of Eastern Germany. Developed to feature as not only a faucet, but as a beautiful and breathtaking piece of art

Meissen's signature series - crafted from high-grade DZR brass, state of the art technology and a passion for innovation. Creating a leading premium look and feel.

Using the most advanced engineering equipment & technology, we are able to create the most beautiful & high-quality designs. Meissen fuses brand and quality together, creating uniquely trademarked products.

We are proud to be working with designers who continuously create pioneering, innovative & beautiful products that everyone can enjoy.

CATALOGUE CONTENTS

FAUCETS

ONEX	7-14
EVONY	15-22
TRESAR	23-30
ALVAR	31-38
ALVAR GRAPHITE	39-48
STERLYN	49-56
STERLYN DOUBLE BLACK	57-64

FEATURES

NEOPERL AERATORS	65
CITEC CARTRIDGES	66

SHOWER

EDGE MIELA	67-74
EDGE VOS	75-77

SPARES

78-80



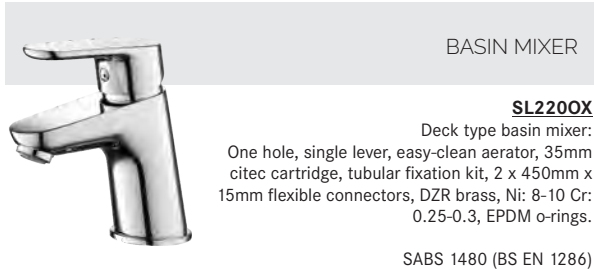


Sophistication through simplicity.

Raffinesse durch Einfachheit.



Pemlee

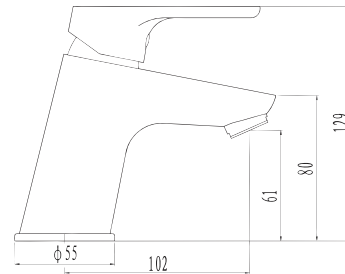


BASIN MIXER

SL2200X

Deck type basin mixer:
One hole, single lever, easy-clean aerator, 35mm citec cartridge, tubular fixation kit, 2 x 450mm x 15mm flexible connectors, DZR brass, Ni: 8-10 Cr: 0.25-0.3, EPDM o-rings.

SABS 1480 (BS EN 1286)

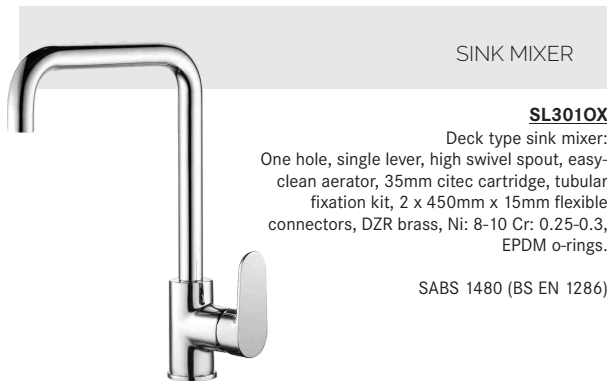
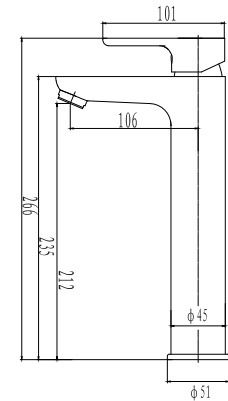


HIGH RISE BASIN MIXER

SL2200XL

High rise basin mixer:
One hole, single lever, easy-clean aerator, 35mm citec cartridge, tubular fixation kit, 2 x 450mm x 15mm flexible connectors, DZR brass, Ni: 8-10 Cr: 0.25-0.3, EPDM o-rings.

SABS 1480 (BS EN 1286)

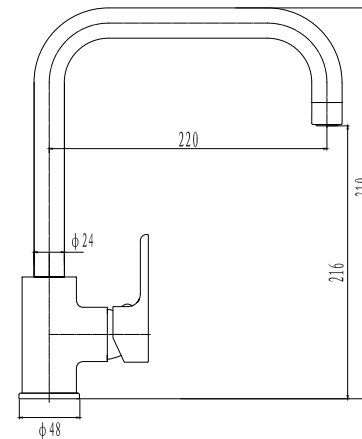


SINK MIXER

SL3010X

Deck type sink mixer:
One hole, single lever, high swivel spout, easy-clean aerator, 35mm citec cartridge, tubular fixation kit, 2 x 450mm x 15mm flexible connectors, DZR brass, Ni: 8-10 Cr: 0.25-0.3, EPDM o-rings.

SABS 1480 (BS EN 1286)

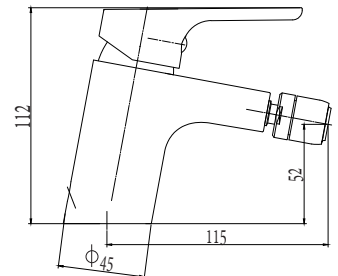


BIDET MIXER

SL2400X

Bidet mixer:
One hole, single lever, easy-clean aerator, 35mm citec cartridge, tubular fixation kit, 2 x 450mm x 15mm flexible connectors, DZR brass, Ni: 8-10 Cr: 0.25-0.3, EPDM o-rings.

SABS 1480 (BS EN 1286)



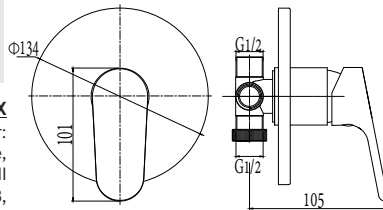
CONCEALED BATH / SHOWER MIXER



SL1000X

Bath/Shower concealed mixer:
Sliding CP cover plate, 35mm citec cartridge,
4 way ports, 2 x 1/2" MI inlets & 2 x 1/2" MI
outlets, DZR brass, Ni: 8-10 Cr: 0.25-0.3,
EPDM o-rings.

SABS 1480 (BS EN 1286)



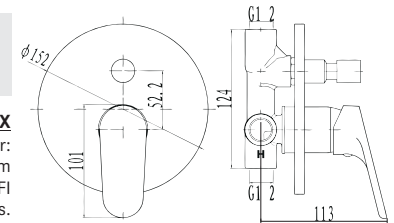
CONCEALED BATH / SHOWER DIVERTER MIXER



SL1050X

Bath/Shower concealed diverter mixer:
Sliding CP cover plate, diverter push button, 35mm
citec cartridge, 2 x G1/2" FI inlets & 2 x G1/2" FI
outlets, DZR brass, Ni: 8-10 Cr: 0.25-0.3, EPDM o-rings.

SABS 1480 (BS EN 1286)



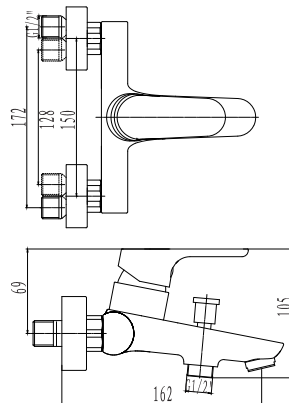
COMPLETE BATH MIXER



SL1200XW

Exposed wall type bath mixer:
Two hole, single lever, with Diverter,
G1/2" s-connectors adjustable from
128mm - 172mm centres. Supplied with
hand shower, hose, wall bracket, 35mm
citec cartridge, easy-clean aerator, DZR
brass, Ni: 8-10 Cr: 0.25-0.3, EPDM o-
rings.

SABS 1480 (BS EN 1286)



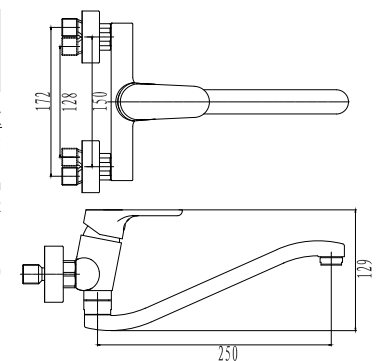
WALL TYPE SINK MIXER



SL2100X

Wall type sink mixer:
Two hole, single lever, swivel spout 250mm,
G1/2" s-connectors adjustable from 128mm - 172mm
centres, 35mm citec cartridge & easy-clean aerator, DZR
brass, Ni: 8-10 Cr: 0.25-0.3, EPDM o-rings.

SABS 1480 (BS EN 1286)



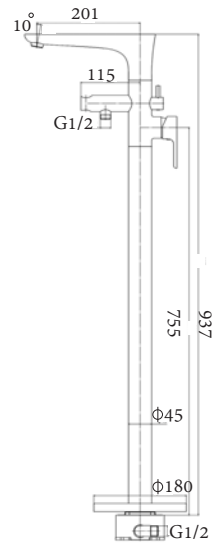


FREESTANDING BATH MIXER

SL500OX

Freestanding bath mixer:
35mm citec cartridge, 2 x G1/2" FI inlets &
1 x G1/2" FI outlet, DZR brass,
Ni: 8-10 Cr: 0.25-0.3, EPDM o-rings.

SABS 1480 (BS EN 1286)



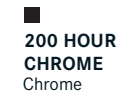
1. Citec cartridge

CITEC CARTRIDGES INCLUDE HIGH QUALITY CERAMIC DISKS WHICH ALLOW FOR SMOOTH ADJUSTMENT WHEN CHANGING THE TEMPERATURE & FLOW RATE OF THE WATER.



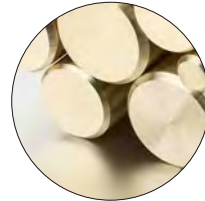
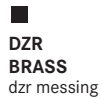
5. Chrome finish

A SUPERIOR CHROMING TECHNIQUE PROVIDES A BEAUTIFUL AESTHETIC APPEARANCE, EXCELLENT CORROSION RESISTANCE & AN EASIER SURFACE TO CLEAN.



2. DZR brass

HIGH-GRADE DZR BRASS IS RESISTANT TO DEZINCIFICATION, A FORM OF CORROSION. THIS ENSURES THE MEISEN PRODUCTS HAVE BETTER LONGEVITY.



6. Base plate

USED TO ALLOW FOR BETTER COVERAGE OF BASIN TAP HOLE.



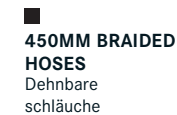
3. Easy tubular fixations

PROVIDES THE INSTALLER WITH AN EASIER INSTALLATION; SIMPLY TIGHTEN THE FIXATION BY HAND. NO TOOLS REQUIRED.



7. 450mm braided hoses

PROVIDES MORE THAN ADEQUATE LENGTH FOR THE INSTALLER IN ORDER TO CONNECT TO THE WATER INLET SUPPLY.



4. Neoperl easy-clean aerator

ALLOWS FOR EASY CLEANING & REMOVAL OF DEBRIS CAUGHT IN THE AERATOR.



15 YEAR GUARANTEE





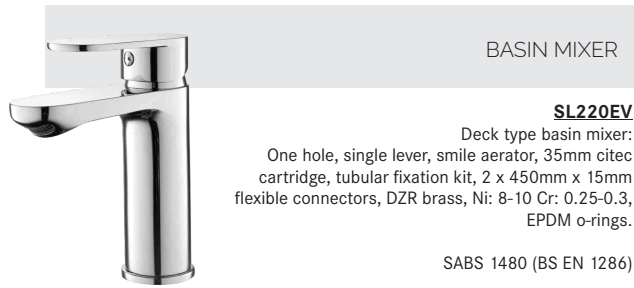
NOTES



Sophistication through simplicity.
Raffinesse durch Einfachheit.



Perplex

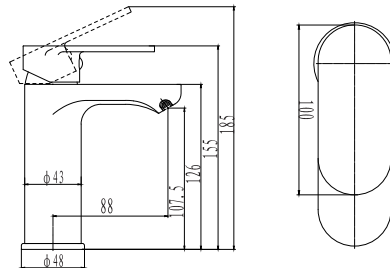


BASIN MIXER

SL220EV

Deck type basin mixer:
One hole, single lever, smile aerator, 35mm citec cartridge, tubular fixation kit, 2 x 450mm x 15mm flexible connectors, DZR brass, Ni: 8-10 Cr: 0.25-0.3, EPDM o-rings.

SABS 1480 (BS EN 1286)

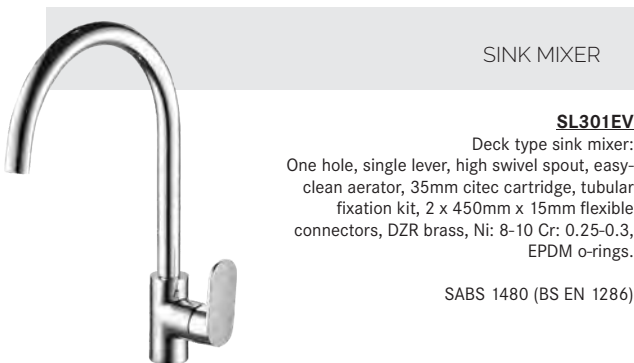
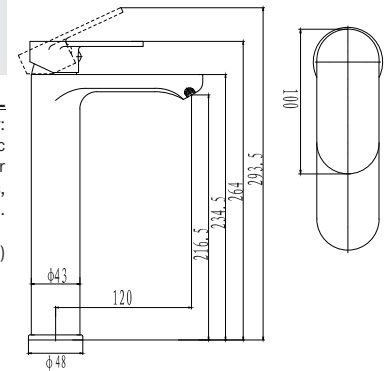


HIGH RISE BASIN MIXER

SL220EVL

High rise basin mixer:
One hole, single lever, smile aerator, 35mm citec cartridge, 2 x copper tube extensions, tubular fixation kit, 2 x 450mm x 15mm flexible connectors, DZR brass, Ni: 8-10 Cr: 0.25-0.3, EPDM o-rings.

SABS 1480 (BS EN 1286)

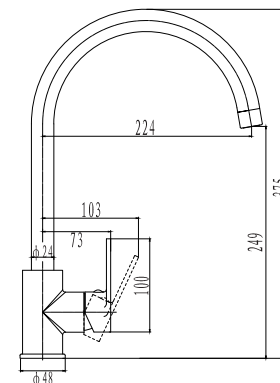


SINK MIXER

SL301EV

Deck type sink mixer:
One hole, single lever, high swivel spout, easy-clean aerator, 35mm citec cartridge, tubular fixation kit, 2 x 450mm x 15mm flexible connectors, DZR brass, Ni: 8-10 Cr: 0.25-0.3, EPDM o-rings.

SABS 1480 (BS EN 1286)

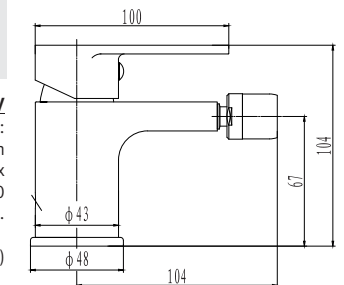


BIDET MIXER

SL240EV

Bidet mixer:
One hole, single lever, easy-clean aerator, 35mm citec cartridge, tubular fixation kit, 2 x 450mm x 15mm flexible connectors, DZR brass, Ni: 8-10 Cr: 0.25-0.3, EPDM o-rings.

SABS 1480 (BS EN 1286)



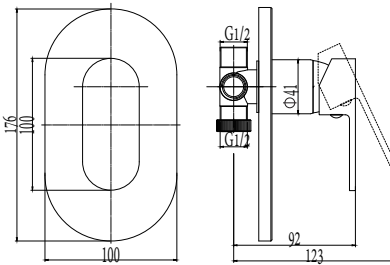


CONCEALED BATH / SHOWER MIXER

SL100EV

Bath/Shower concealed mixer:
Sliding CP cover plate, 35mm citec cartridge,
4 way ports, 2 x 1/2" MI inlets & 2 x 1/2" MI
outlets, DZR brass, Ni: 8-10 Cr: 0.25-0.3,
EPDM o-rings.

SABS 1480 (BS EN 1286)

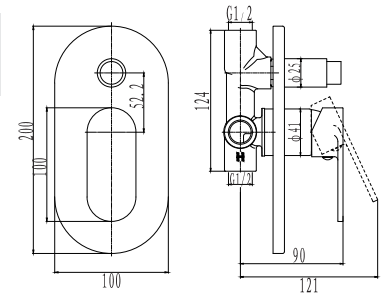


CONCEALED BATH / SHOWER DIVERTER MIXER

SL105EV

Bath/Shower concealed diverter mixer:
Sliding CP cover plate, diverter push button, 35mm
citec cartridge, 2 x G 1/2" FI inlets & 2 x G 1/2" FI
outlets, DZR brass, Ni: 8-10 Cr: 0.25-0.3, EPDM o-
rings.

SABS 1480 (BS EN 1286)

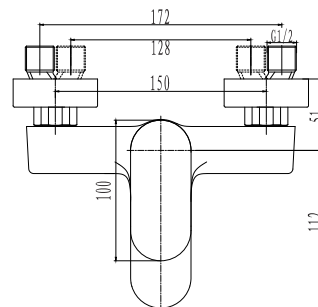


COMPLETE BATH MIXER

SL120EVW

Exposed wall type bath mixer:
Two hole, single lever, with Diverter,
G 1/2" s-connectors adjustable from
128mm - 172mm centres. Supplied
with hand shower, hose, wall bracket,
35mm citec cartridge, easy-clean
aerator, DZR brass, Ni: 8-10 Cr: 0.25-
0.3, EPDM o-rings.

SABS 1480 (BS EN 1286)

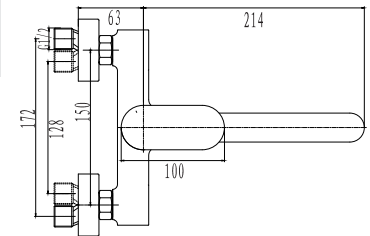


WALL TYPE SINK MIXER

SL210EV

Wall type sink mixer:
Two hole, single lever, swivel spout
214mm, G 1/2" s-connectors adjustable
from 128mm - 172mm centres, 35mm
citec cartridge & easy-clean aerator, DZR
brass, Ni: 8-10 Cr: 0.25-0.3, EPDM o-
rings.

SABS 1480 (BS EN 1286)



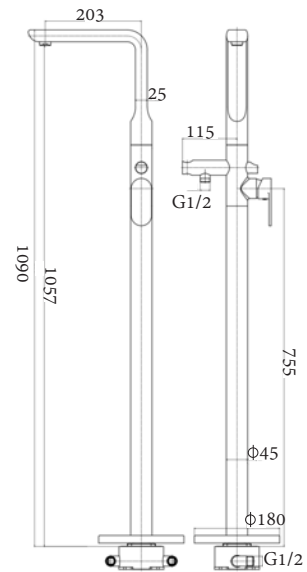


FREESTANDING BATH MIXER

SL500EV

Freestanding bath mixer:
35mm citec cartridge, 2 x G1/2" FI inlets &
1 x G1/2" FI outlet, DZR brass,
Ni: 8-10 Cr: 0.25-0.3, EPDM o-rings.

SABS 1480 (BS EN 1286)



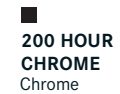
1. Citec cartridge

CITEC CARTRIDGES INCLUDE HIGH QUALITY CERAMIC DISKS WHICH ALLOW FOR SMOOTH ADJUSTMENT WHEN CHANGING THE TEMPERATURE & FLOW RATE OF THE WATER.



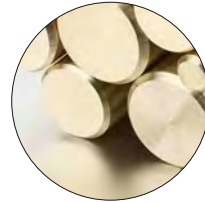
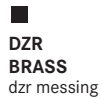
4. Chrome finish

A SUPERIOR CHROMING TECHNIQUE PROVIDES A BEAUTIFUL AESTHETIC APPEARANCE, EXCELLENT CORROSION RESISTANCE & AN EASIER SURFACE TO CLEAN.



2. DZR brass

HIGH-GRADE DZR BRASS IS RESISTANT TO DEZINCIFICATION, A FORM OF CORROSION. THIS ENSURES THE MEISSEN PRODUCTS HAVE BETTER LONGEVITY.



5. Base plate

USED TO ALLOW FOR BETTER COVERAGE OF BASIN TAP HOLE.



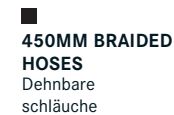
3. Easy tubular fixations

PROVIDES THE INSTALLER WITH AN EASIER INSTALLATION; SIMPLY TIGHTEN THE FIXATION BY HAND. NO TOOLS REQUIRED.



6. 450mm braided hoses

PROVIDES MORE THAN ADEQUATE LENGTH FOR THE INSTALLER IN ORDER TO CONNECT TO THE WATER INLET SUPPLY.



15 YEAR GUARANTEE







NOTES



Sophistication through simplicity.

Raffinesse durch Einfachheit.



Penlee

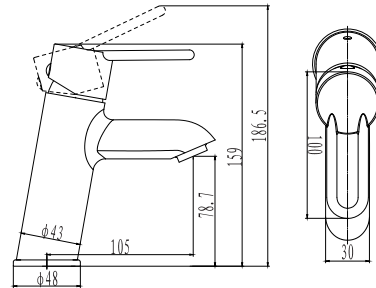


BASIN MIXER

SL220TR

Deck type basin mixer:
One hole, single lever, easy-clean aerator, 35mm citec cartridge, tubular fixation kit, 2 x 450mm x 15mm flexible connectors, DZR brass, Ni: 8-10 Cr: 0.25-0.3, EPDM o-rings.

SABS 1480 (BS EN 1286)

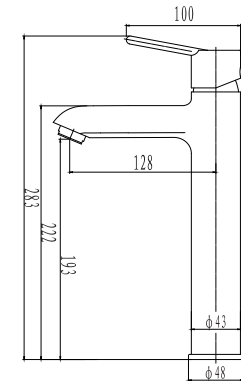


HIGH RISE BASIN MIXER

SL220TRL

High rise basin mixer:
One hole, single lever, easy-clean aerator, 35mm citec cartridge, tubular fixation kit, 2 x 450mm x 15mm flexible connectors, DZR brass, Ni: 8-10 Cr: 0.25-0.3, EPDM o-rings.

SABS 1480 (BS EN 1286)

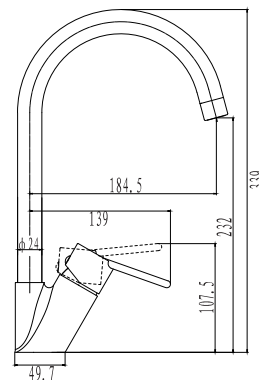


SINK MIXER

SL301TR

Deck type sink mixer:
One hole, single lever, high swivel spout, easy-clean aerator, 35mm citec cartridge, tubular fixation kit, 2 x 450mm x 15mm flexible connectors, DZR brass, Ni: 8-10 Cr: 0.25-0.3, EPDM o-rings.

SABS 1480 (BS EN 1286)

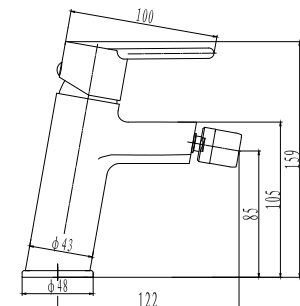


BIDET MIXER

SL240TR

Bidet mixer:
One hole, single lever, easy-clean aerator, 35mm citec cartridge, tubular fixation kit, 2 x 450mm x 15mm flexible connectors, DZR brass, Ni: 8-10 Cr: 0.25-0.3, EPDM o-rings.

SABS 1480 (BS EN 1286)

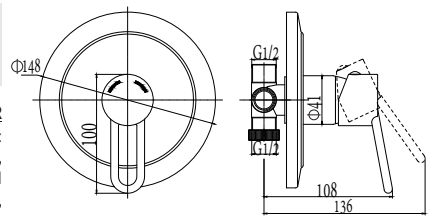




CONCEALED BATH / SHOWER MIXER

SL100TR
 Bath/Shower concealed mixer:
 Sliding CP cover plate, 35mm citec cartridge,
 4 way ports, 2 x 1/2" MI inlets & 2 x 1/2" MI
 outlets, DZR brass, Ni: 8-10 Cr: 0.25-0.3,
 EPDM o-rings.

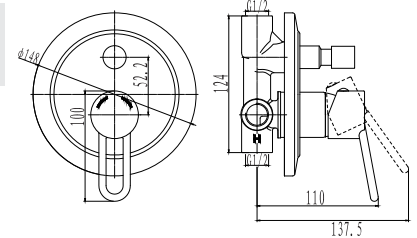
SABS 1480 (BS EN 1286)




CONCEALED BATH / SHOWER DIVERTER MIXER

SL105TR
 Bath/Shower concealed diverter mixer:
 Sliding CP cover plate, diverter push button,
 35mm citec cartridge, 2 x G1/2" FI inlets & 2 x
 G1/2" FI outlets, DZR brass, Ni: 8-10 Cr: 0.25-
 0.3, EPDM o-rings.

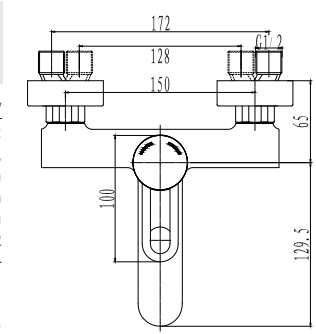

SABS 1480 (BS EN 1286)




COMPLETE BATH MIXER

SL120TRW
 Exposed wall type bath mixer:
 Two hole, single lever, with Diverter,
 G1/2" s-connectors adjustable from
 128mm - 172mm centres. Supplied with
 hand shower, hose, wall bracket, 35mm
 citec cartridge, easy-clean aerator, DZR
 brass, Ni: 8-10 Cr: 0.25-0.3, EPDM o-
 rings.

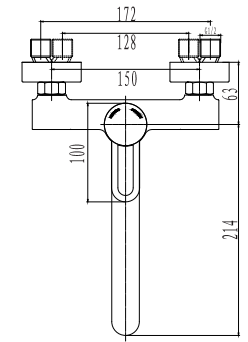
SABS 1480 (BS EN 1286)

WALL TYPE SINK MIXER

SL210TR
 Wall type sink mixer:
 Two hole, single lever, swivel spout 214mm, G1/2" s-
 connectors adjustable from 128mm - 172mm centres,
 35mm citec cartridge & easy-clean aerator, DZR brass,
 Ni: 8-10 Cr: 0.25-0.3, EPDM o-rings.

SABS 1480 (BS EN 1286)



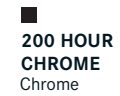
1. Citec cartridge

CITEC CARTRIDGES INCLUDE HIGH QUALITY CERAMIC DISKS WHICH ALLOW FOR SMOOTH ADJUSTMENT WHEN CHANGING THE TEMPERATURE & FLOW RATE OF THE WATER.



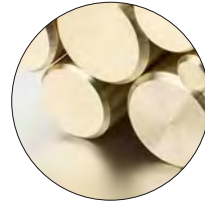
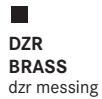
5. Chrome finish

A SUPERIOR CHROMING TECHNIQUE PROVIDES A BEAUTIFUL AESTHETIC APPEARANCE, EXCELLENT CORROSION RESISTANCE & AN EASIER SURFACE TO CLEAN.



2. DZR brass

HIGH-GRADE DZR BRASS IS RESISTANT TO DEZINCIFICATION, A FORM OF CORROSION. THIS ENSURES THE MEISSEN PRODUCTS HAVE BETTER LONGEVITY.



6. Base plate

USED TO ALLOW FOR BETTER COVERAGE OF BASIN TAP HOLE.



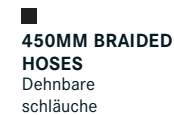
3. Easy tubular fixations

PROVIDES THE INSTALLER WITH AN EASIER INSTALLATION; SIMPLY TIGHTEN THE FIXATION BY HAND. NO TOOLS REQUIRED.



7. 450mm braided hoses

PROVIDES MORE THAN ADEQUATE LENGTH FOR THE INSTALLER IN ORDER TO CONNECT TO THE WATER INLET SUPPLY.



4. Neoperl easy-clean aerator

ALLOWS FOR EASY CLEANING & REMOVAL OF DEBRIS CAUGHT IN THE AERATOR.



15 YEAR GUARANTEE







NOTES



Sophistication through simplicity.

Raffinesse durch Einfachheit.



Penlee

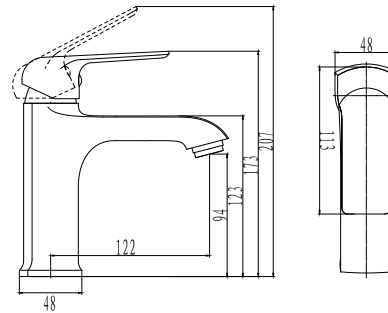


BASIN MIXER

SL220AV

Deck type basin mixer:
One hole, single lever, easy-clean aerator, 35mm citec cartridge, tubular fixation kit, 2 x 450mmx15mm flexible connectors, DZR brass, Ni: 8-10 Cr: 0.25-0.3, EPDM o-rings.

SABS 1480 (BS EN 1286)

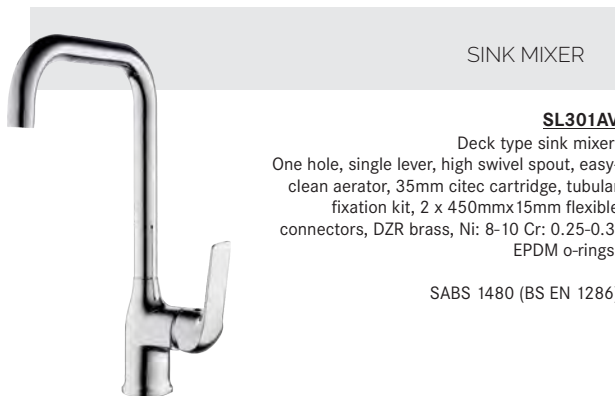
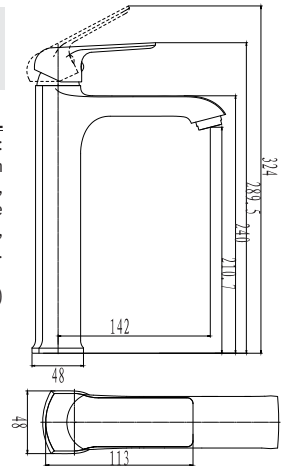


HIGH RISE BASIN MIXER

SL220AVL

High rise basin mixer:
One hole, single lever, easy-clean aerator, 35mm citec cartridge, 2 x copper tube extensions, tubular fixation kit, 2 x 450mmx15mm flexible connectors, DZR brass, Ni: 8-10 Cr: 0.25-0.3, EPDM o-rings.

SABS 1480 (BS EN 1286)

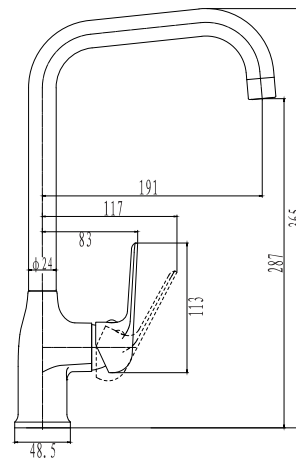


SINK MIXER

SL301AV

Deck type sink mixer:
One hole, single lever, high swivel spout, easy-clean aerator, 35mm citec cartridge, tubular fixation kit, 2 x 450mmx15mm flexible connectors, DZR brass, Ni: 8-10 Cr: 0.25-0.3, EPDM o-rings.

SABS 1480 (BS EN 1286)

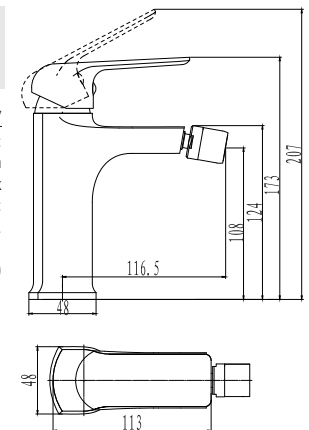


BIDET MIXER

SL240AV

Bidet mixer:
One hole, single lever, easy-clean aerator, 35mm citec cartridge, tubular fixation kit, 2 x 450mmx15mm flexible connectors, DZR brass, Ni: 8-10 Cr: 0.25-0.3, EPDM o-rings.

SABS 1480 (BS EN 1286)



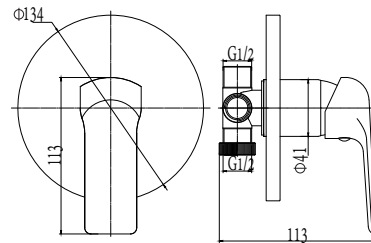


CONCEALED BATH / SHOWER MIXER

SL100AV

Bath/Shower concealed mixer:
Sliding CP cover plate, 35mm citec cartridge,
4 way ports, 2 x 1/2" MI inlets & 2 x 1/2" MI
outlets, DZR brass, Ni: 8-10 Cr: 0.25-0.3,
EPDM o-rings.

SABS 1480 (BS EN 1286)

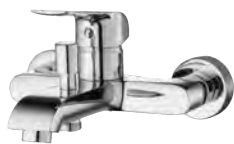
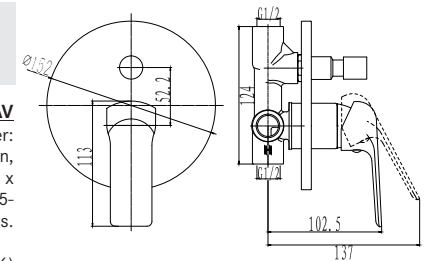


CONCEALED BATH / SHOWER DIVERTER MIXER

SL105AV

Bath/Shower concealed diverter mixer:
Sliding CP cover plate, diverter push button,
35mm citec cartridge, 2 x G 1/2" FI inlets & 2 x
G 1/2" FI outlets, DZR brass, Ni: 8-10 Cr: 0.25-
0.3, EPDM o-rings.

SABS 1480 (BS EN 1286)

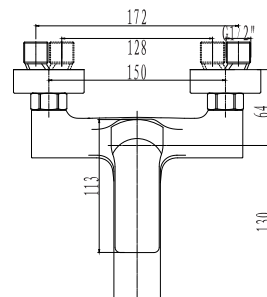


COMPLETE BATH MIXER

SL120AVV

Exposed wall type bath mixer:
Two hole, single lever, with Diverter,
G1/2" s-connectors adjustable
from 128mm - 172mm centres.
Supplied with hand shower, hose,
wall bracket, 35mm citec cartridge,
easy-clean aerator, DZR brass, Ni:
8-10 Cr: 0.25-0.3, EPDM o-rings.

SABS 1480 (BS EN 1286)

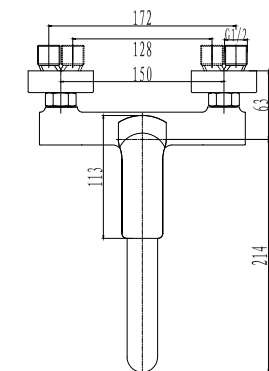


WALL TYPE SINK MIXER

SL210AV

Wall type sink mixer:
Two hole, single lever, swivel spout 214mm,
G1/2" s-connectors adjustable from 128mm -
172mm centres, 35mm citec cartridge & easy-
clean aerator, DZR brass, Ni: 8-10 Cr: 0.25-0.3,
EPDM o-rings.

SABS 1480 (BS EN 1286)



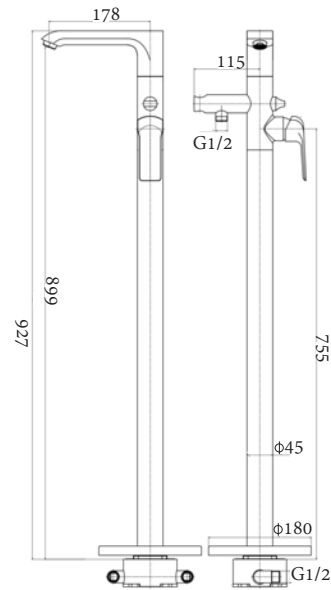


FREESTANDING BATH MIXER

SL500AV

Freestanding bath mixer:
35mm citec cartridge, 2 x G1/2" FI inlets &
1 x G1/2" FI outlet, DZR brass,
Ni: 8-10 Cr: 0.25-0.3, EPDM o-rings.

SABS 1480 (BS EN 1286)

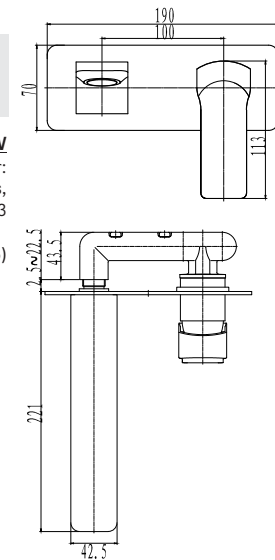


WALL MOUNTED BASIN MIXER

SL220AVW

Wall mounted basin mixer:
35mm citec cartridge, DZR brass,
Ni: 8-10 Cr: 0.25-0.3

SABS 1480 (BS EN 1286)



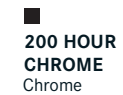
1. Citec cartridge

CITEC CARTRIDGES INCLUDE HIGH QUALITY CERAMIC DISKS WHICH ALLOW FOR SMOOTH ADJUSTMENT WHEN CHANGING THE TEMPERATURE & FLOW RATE OF THE WATER.



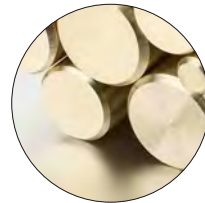
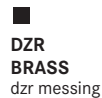
5. Chrome finish

A SUPERIOR CHROMING TECHNIQUE PROVIDES A BEAUTIFUL AESTHETIC APPEARANCE, EXCELLENT CORROSION RESISTANCE & AN EASIER SURFACE TO CLEAN.



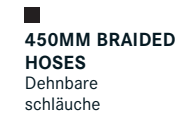
2. DZR brass

HIGH-GRADE DZR BRASS IS RESISTANT TO DEZINCIFICATION, A FORM OF CORROSION. THIS ENSURES THE MEISSEN PRODUCTS HAVE BETTER LONGEVITY.



6. 450mm braided hoses

PROVIDES MORE THAN ADEQUATE LENGTH FOR THE INSTALLER IN ORDER TO CONNECT TO THE WATER INLET SUPPLY.



3. Easy tubular fixations

PROVIDES THE INSTALLER WITH AN EASIER INSTALLATION; SIMPLY TIGHTEN THE FIXATION BY HAND. NO TOOLS REQUIRED.



15 YEAR GUARANTEE



4. Neoperl easy-clean aerator

ALLOWS FOR EASY CLEANING & REMOVAL OF DEBRIS CAUGHT IN THE AERATOR.





NOTES



Sophistication through simplicity.

Raffinesse durch Einfachheit.



Perfekte

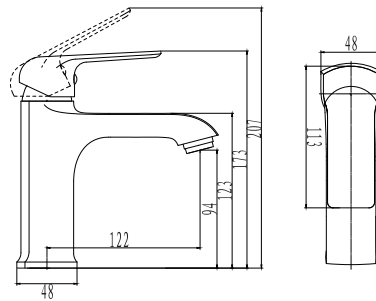


BASIN MIXER

SL220AVG

Deck type basin mixer:
One hole, single lever, easy-clean aerator, 35mm citec cartridge, tubular fixation kit, 2 x 450mmx15mm flexible connectors, DZR brass, EPDM o-rings. Anti-corrosive graphite finish.

SABS 1480 (BS EN 1286)

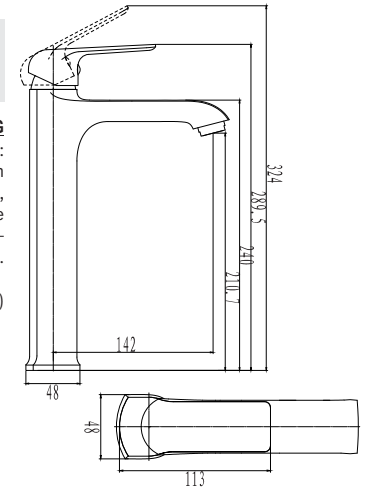


HIGH RISE BASIN MIXER

SL220AVLG

High rise basin mixer:
One hole, single lever, easy-clean aerator, 35mm citec cartridge, 2 x copper tube extensions, tubular fixation kit, 2 x 450mmx15mm flexible connectors, DZR brass, EPDM o-rings. Anti-corrosive graphite finish.

SABS 1480 (BS EN 1286)

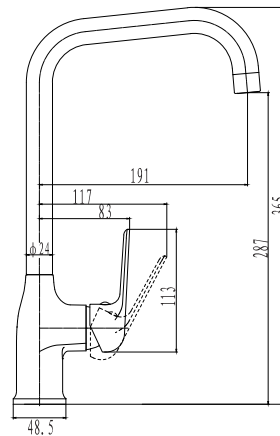


SINK MIXER

SL301AVG

Deck type sink mixer:
One hole, single lever, high swivel spout, easy-clean aerator, 35mm citec cartridge, tubular fixation kit, 2 x 450mmx15mm flexible connectors, DZR brass, EPDM o-rings. Anti-corrosive graphite finish.

SABS 1480 (BS EN 1286)

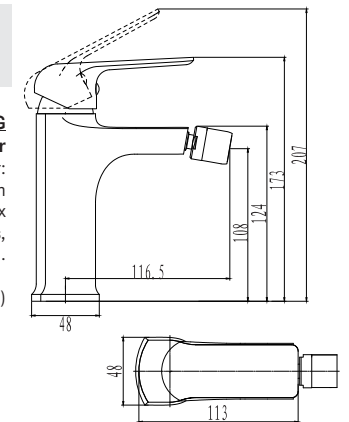


BIDET MIXER

SL240AVG
Single lever bidet mixer

Bidet mixer:
One hole, single lever, easy-clean aerator, 35mm citec cartridge, tubular fixation kit, 2 x 450mmx15mm flexible connectors, DZR brass, EPDM o-rings. Anti-corrosive graphite finish.

SABS 1480 (BS EN 1286)

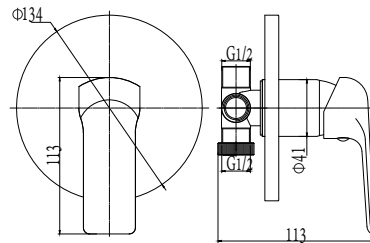


CONCEALED BATH / SHOWER MIXER




SL100AVG
Bath/Shower concealed mixer:
Sliding CP cover plate, 35mm citec cartridge, 4 way ports, 2 x 1/2" MI inlets & 2 x 1/2" MI outlets, DZR brass, Ni: 8-10 Cr: 0.25-0.3, EPDM o-rings. Anti-corrosive graphite finish.

SABS 1480 (BS EN 1286)

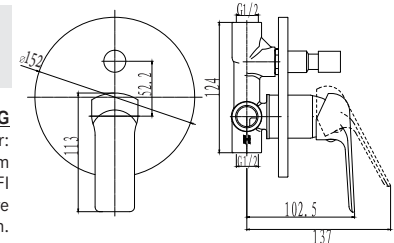


CONCEALED BATH / SHOWER DIVERTER MIXER



SL105AVG
Bath/Shower concealed diverter mixer:
Sliding CP cover plate, diverter push button, 35mm citec cartridge, 2 x G1/2" FI inlets & 2 x G1/2" FI outlets, DZR brass, EPDM o-rings. Anti-corrosive graphite finish.

SABS 1480 (BS EN 1286)

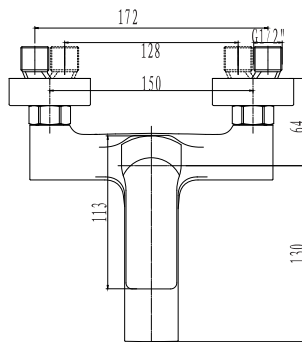


COMPLETE BATH MIXER



SL120AVWG
Exposed wall type bath mixer:
Two hole, single lever, with Diverter, G1/2" s-connectors adjustable from 128mm - 172mm centres. Supplied with hand shower, hose, wall bracket, 35mm citec cartridge, easy-clean aerator, DZR brass, EPDM o-rings. Anti-corrosive graphite finish.

SABS 1480 (BS EN 1286)

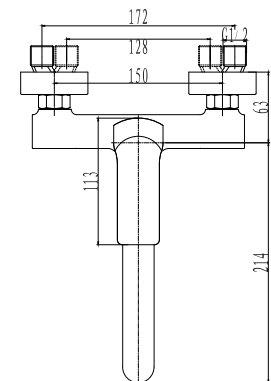


WALL TYPE SINK MIXER



SL210AVG
Wall type sink mixer:
Two hole, single lever, swivel spout 214mm, G1/2" s-connectors adjustable from 128mm - 172mm centres, 35mm citec cartridge & easy-clean aerator, DZR brass, EPDM o-rings. Anti-corrosive graphite finish.

SABS 1480 (BS EN 1286)



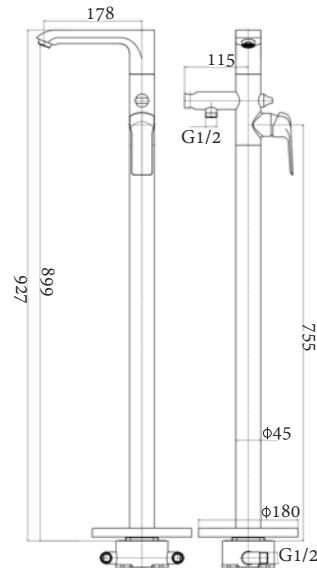


FREESTANDING BATH MIXER

SL500AVG

Freestanding bath mixer:
35mm citec cartridge, 2 x G1/2" FI inlets &
1 x G1/2" FI outlet, DZR brass,
Graphite finish, EPDM o-rings.

SABS 1480 (BS EN 1286)

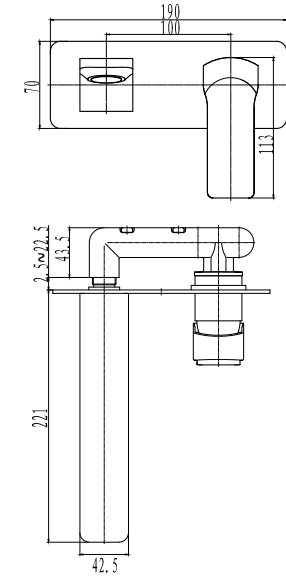


WALL MOUNTED BASIN MIXER

SL220AVWG

Wall mounted basin mixer:
35mm citec cartridge, DZR brass,
Graphite finish.

SABS 1480 (BS EN 1286)

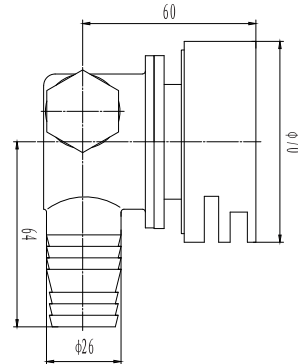




NIKKIE SPOUT

GNIKKIE
Round nikkie spout
Combination bath filler and overflow,
with G1/2" FI left or right inlet.

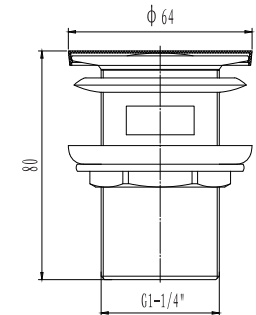
SABS 1480 (BS EN 1286)



POP UP SLOTTED BASIN WASTE

G4620POPS
Slotted pop up basin waste
32mm outlet with pop up Mechanism, including 2
x silicone washers, a brass backnut and an
overflow.

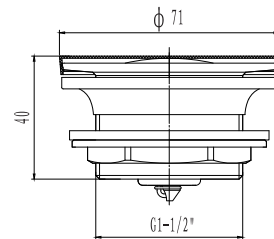
SABS 1480 (BS EN 1286)



POP UP BATH WASTE

G4560POP
Pop up bath waste
40mm outlet with pop up Mechanism,
including 2 x silicone washers & brass
backnut.

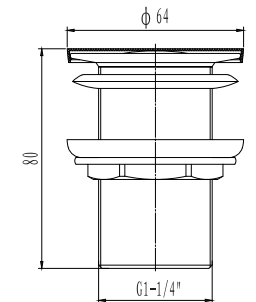
SABS 1480 (BS EN 1286)



POP UP UNSLOTTED BASIN WASTE

G4620POP
Pop up basin waste
32mm outlet with pop up Mechanism, including
2 x silicone washers & brass backnut.

SABS 1480 (BS EN 1286)



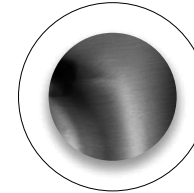
1. Citec cartridge

CITEC CARTRIDGES INCLUDE HIGH QUALITY CERAMIC DISKS WHICH ALLOW FOR SMOOTH ADJUSTMENT WHEN CHANGING THE TEMPERATURE & FLOW RATE OF THE WATER.



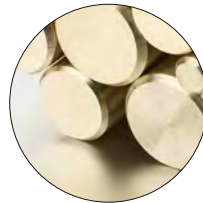
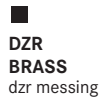
5. Graphite finish

A SUPERIOR TECHNIQUE PROVIDES A BEAUTIFUL AESTHETIC & UNIQUE APPEARANCE. ANTI-CORROSIVE FINISH.



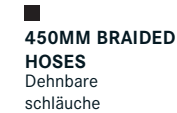
2. DZR brass

HIGH-GRADE DZR BRASS IS RESISTANT TO DEZINCIFICATION, A FORM OF CORROSION. THIS ENSURES THE MEISSEN PRODUCTS HAVE BETTER LONGEVITY.



6. 450mm braided hoses

PROVIDES MORE THAN ADEQUATE LENGTH FOR THE INSTALLER IN ORDER TO CONNECT TO THE WATER INLET SUPPLY.



3. Easy tubular fixations

PROVIDES THE INSTALLER WITH AN EASIER INSTALLATION; SIMPLY TIGHTEN THE FIXATION BY HAND. NO TOOLS REQUIRED.



5 YEAR GUARANTEE



4. Neoperl easy-clean aerator

ALLOWS FOR EASY CLEANING & REMOVAL OF DEBRIS CAUGHT IN THE AERATOR.









Sophistication through simplicity.

Raffinesse durch Einfachheit.



Penlee

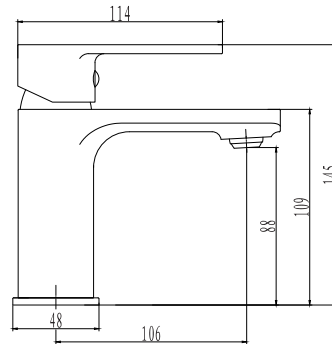


BASIN MIXER

SL220SN

Deck type basin mixer:
One hole, single lever, easy-clean aerator, 35mm citec cartridge, tubular fixation kit, 2 x 450mmx15mm flexible connectors, DZR brass, Ni: 8-10 Cr: 0.25-0.3, EPDM o-rings.

SABS 1480 (BS EN 1286)

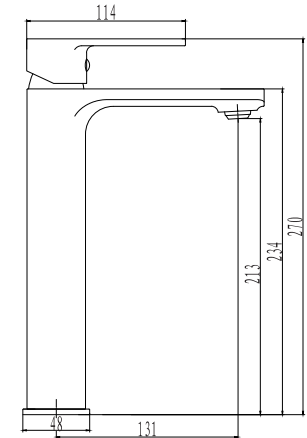


HIGH RISE BASIN MIXER

SL220SNL

High rise basin mixer:
One hole, single lever, easy-clean aerator, 35mm citec cartridge, 2 x copper tube extensions, tubular fixation kit, 2 x 450mmx15mm flexible connectors, DZR brass, Ni: 8-10 Cr: 0.25-0.3, EPDM o-rings.

SABS 1480 (BS EN 1286)

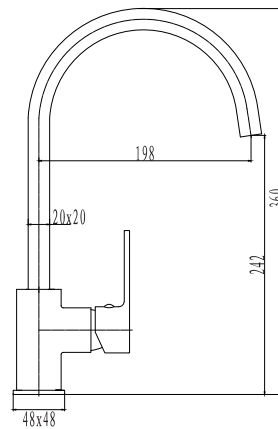


SINK MIXER

SL301SN

Deck type sink mixer:
One hole, single lever, high swivel spout, easy-clean aerator, 35mm citec cartridge, tubular fixation kit, 2 x 450mmx15mm flexible connectors, DZR brass, Ni: 8-10 Cr: 0.25-0.3, EPDM o-rings.

SABS 1480 (BS EN 1286)

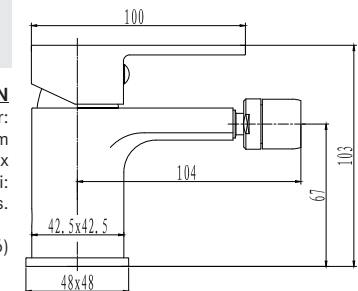


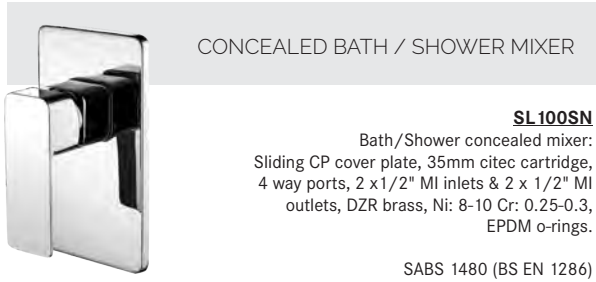
BIDET MIXER

SL240SN

Bidet mixer:
One hole, single lever, easy-clean aerator, 35mm citec cartridge, tubular fixation kit, 2 x 450mmx15mm flexible connectors, DZR brass, Ni: 8-10 Cr: 0.25-0.3, EPDM o-rings.

SABS 1480 (BS EN 1286)



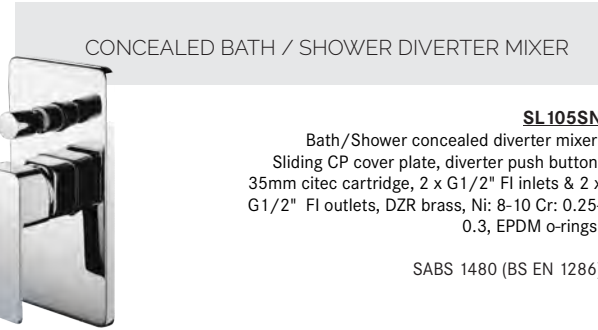
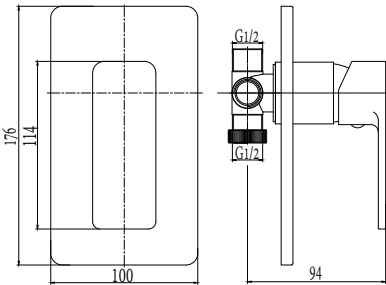


CONCEALED BATH / SHOWER MIXER

SL100SN

Bath/Shower concealed mixer:
Sliding CP cover plate, 35mm citec cartridge,
4 way ports, 2 x 1/2" MI inlets & 2 x 1/2" MI
outlets, DZR brass, Ni: 8-10 Cr: 0.25-0.3,
EPDM o-rings.

SABS 1480 (BS EN 1286)

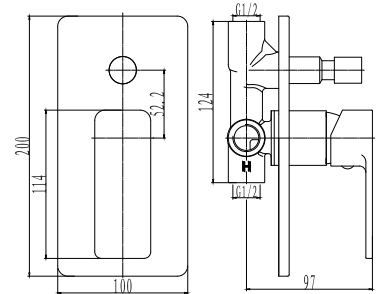


CONCEALED BATH / SHOWER DIVERTER MIXER

SL105SN

Bath/Shower concealed diverter mixer:
Sliding CP cover plate, diverter push button,
35mm citec cartridge, 2 x G 1/2" FI inlets & 2 x
G 1/2" FI outlets, DZR brass, Ni: 8-10 Cr: 0.25-
0.3, EPDM o-rings.

SABS 1480 (BS EN 1286)

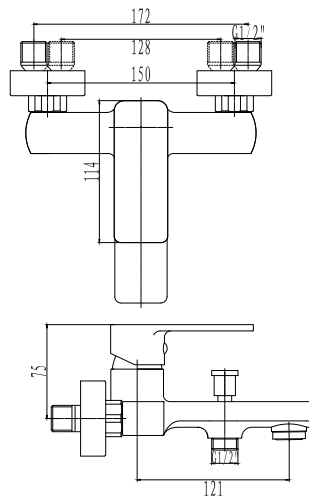


COMPLETE BATH MIXER

SL120SNW

Exposed wall type bath mixer:
Two hole, single lever, with Diverter,
G 1/2" s-connectors adjustable
from 128mm - 172mm centres.
Supplied with hand shower, hose,
wall bracket, 35mm citec cartridge,
easy-clean aerator, DZR brass, Ni:
8-10 Cr: 0.25-0.3, EPDM o-rings.

SABS 1480 (BS EN 1286)

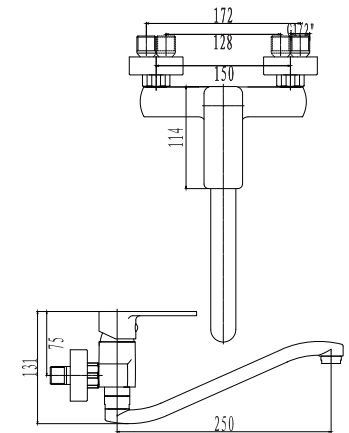


WALL TYPE SINK MIXER

SL210SN

Wall type sink mixer:
Two hole, single lever, swivel spout
250mm, G 1/2" s-connectors adjustable
from 128mm - 172mm centres, 35mm
citec cartridge & easy-clean aerator,
DZR brass, Ni: 8-10 Cr: 0.25-0.3, EPDM
o-rings.

SABS 1480 (BS EN 1286)



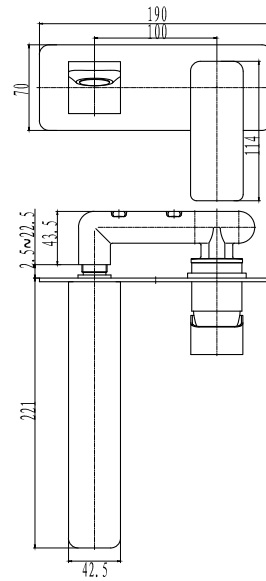


WALL MOUNTED BASIN MIXER

SL220SNW

Wall mounted basin mixer:
35mm citec cartridge, DZR brass,
Ni: 8-10 Cr: 0.25-0.3

SABS 1480 (BS EN 1286)



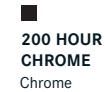
1. Citec cartridge

CITEC CARTRIDGES INCLUDE HIGH QUALITY CERAMIC DISKS WHICH ALLOW FOR SMOOTH ADJUSTMENT WHEN CHANGING THE TEMPERATURE & FLOW RATE OF THE WATER.



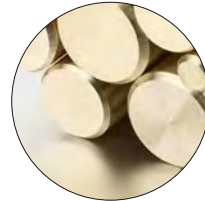
5. Chrome finish

A SUPERIOR CHROMING TECHNIQUE PROVIDES A BEAUTIFUL AESTHETIC APPEARANCE, EXCELLENT CORROSION RESISTANCE & AN EASIER SURFACE TO CLEAN.



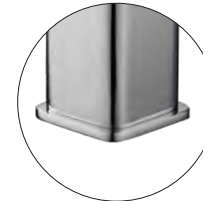
2. DZR brass

HIGH-GRADE DZR BRASS IS RESISTANT TO DEZINCIFICATION, A FORM OF CORROSION. THIS ENSURES THE MEISSEN PRODUCTS HAVE BETTER LONGEVITY.



6. Base plate

USED TO ALLOW FOR BETTER COVERAGE OF BASIN TAP HOLE.



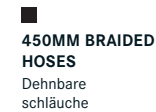
3. Easy tubular fixations

PROVIDES THE INSTALLER WITH AN EASIER INSTALLATION; SIMPLY TIGHTEN THE FIXATION BY HAND. NO TOOLS REQUIRED.



7. 450mm braided hoses

PROVIDES MORE THAN ADEQUATE LENGTH FOR THE INSTALLER IN ORDER TO CONNECT TO THE WATER INLET SUPPLY.



4. Neoperl swivel easy-clean aerator

ALLOWS THE USER TO ORIENTATE THE FLOW DIRECTION & EASILY CLEAN.



15 YEAR GUARANTEE







Sophistication through simplicity.

Raffinesse durch Einfachheit.



Penlee

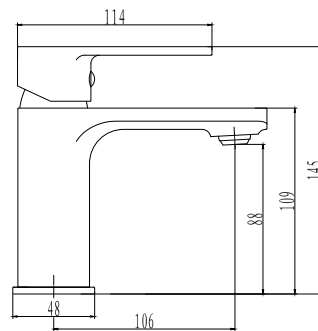


BASIN MIXER

SL220SNB

Deck type basin mixer:
One hole, single lever, easy-clean aerator, 35mm citec cartridge, tubular fixation kit, 2 x 450mmx15mm flexible connectors, DZR brass, Ni: 8-10 Cr: 0.25-0.3, EPDM o-rings.

SABS 1480 (BS EN 1286)

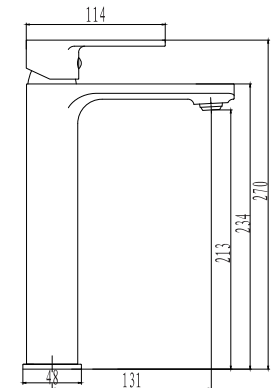


HIGH RISE BASIN MIXER

SL220SNLB

High rise basin mixer:
One hole, single lever, easy-clean aerator, 35mm citec cartridge, 2 x copper tube extensions, tubular fixation kit, 2 x 450mmx15mm flexible connectors, DZR brass, Ni: 8-10 Cr: 0.25-0.3, EPDM o-rings.

SABS 1480 (BS EN 1286)

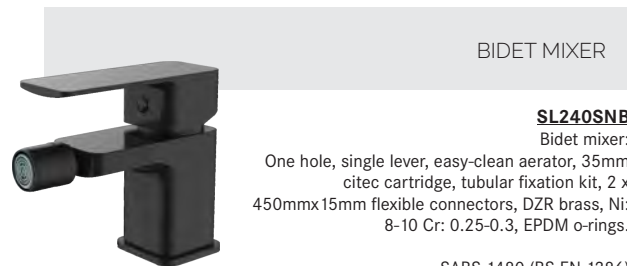
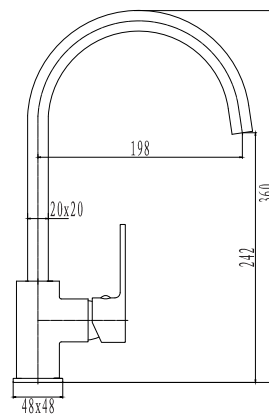


SINK MIXER

SL301SNB

Deck type sink mixer:
One hole, single lever, high swivel spout, easy-clean aerator, 35mm citec cartridge, tubular fixation kit, 2 x 450mmx15mm flexible connectors, DZR brass, Ni: 8-10 Cr: 0.25-0.3, EPDM o-rings.

SABS 1480 (BS EN 1286)

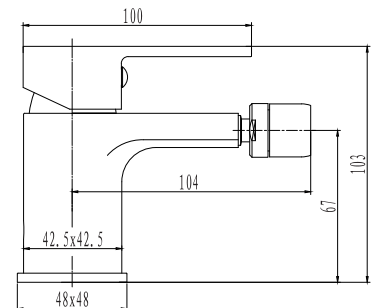


BIDET MIXER


SL240SNB

Bidet mixer:
One hole, single lever, easy-clean aerator, 35mm citec cartridge, tubular fixation kit, 2 x 450mmx15mm flexible connectors, DZR brass, Ni: 8-10 Cr: 0.25-0.3, EPDM o-rings.

SABS 1480 (BS EN 1286)

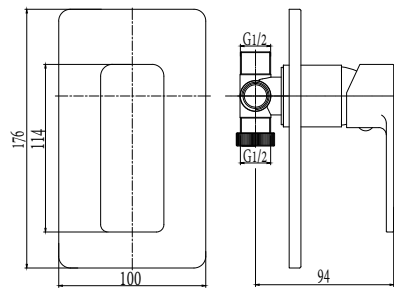


CONCEALED BATH / SHOWER MIXER




SL100SNB
Bath/Shower concealed mixer:
Sliding CP cover plate, 35mm citec cartridge,
4 way ports, 2 x 1/2" MI inlets & 2 x 1/2" MI
outlets, DZR brass, Ni: 8-10 Cr: 0.25-0.3,
EPDM o-rings.

SABS 1480 (BS EN 1286)

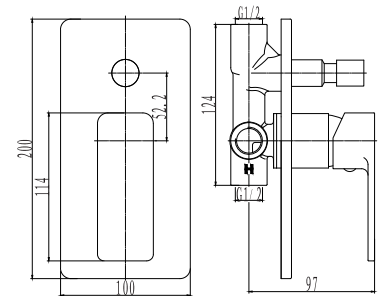


CONCEALED BATH / SHOWER DIVERTER MIXER



SL105SNB
Bath/Shower concealed diverter mixer:
Sliding CP cover plate, diverter push button,
35mm citec cartridge, 2 x G1/2" FI inlets & 2 x
G1/2" FI outlets, DZR brass, Ni: 8-10 Cr: 0.25-
0.3, EPDM o-rings.

SABS 1480 (BS EN 1286)

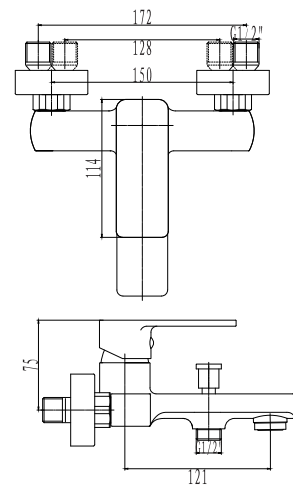


COMPLETE BATH MIXER




SL120SNWB
Exposed wall type bath mixer:
Two hole, single lever, with
Diverter, G1/2" s-connectors
adjustable from 128mm -
172mm centres. Supplied with
hand shower, hose, wall bracket,
35mm citec cartridge, easy-
clean aerator, DZR brass, Ni: 8-
10 Cr: 0.25-0.3, EPDM o-rings.

SABS 1480 (BS EN 1286)

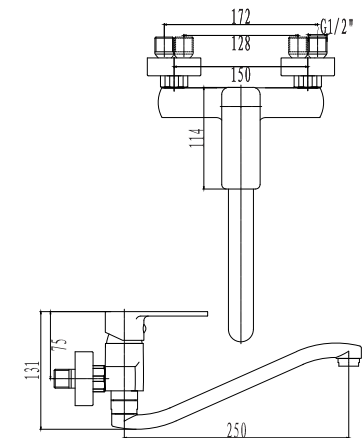


WALL TYPE SINK MIXER



SL210SNB
Wall type sink mixer:
Two hole, single lever, swivel spout
250mm, G1/2" s-connectors adjustable
from 128mm - 172mm centres, 35mm
citec cartridge & easy-clean aerator,
DZR brass, Ni: 8-10 Cr: 0.25-0.3, EPDM
o-rings.

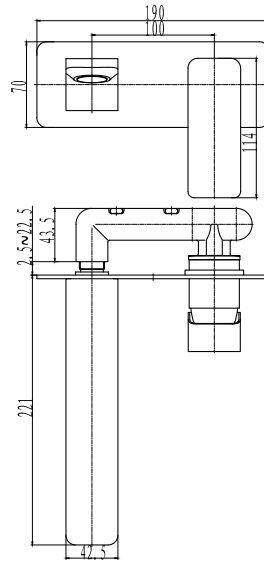
SABS 1480 (BS EN 1286)





SL220SNWB
Wall mounted basin mixer:
35mm citec cartridge, DZR brass,
double black finish.

SABS 1480 (BS EN 1286)



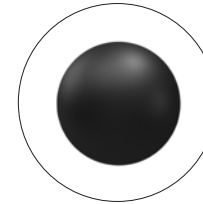
1. Citec cartridge

CITEC CARTRIDGES INCLUDE HIGH QUALITY CERAMIC DISKS WHICH ALLOW FOR SMOOTH ADJUSTMENT WHEN CHANGING THE TEMPERATURE & FLOW RATE OF THE WATER.



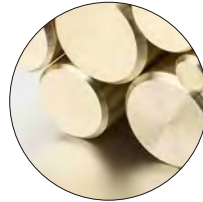
5. Double Black finish

A SUPERIOR TECHNIQUE PROVIDES A BEAUTIFUL AESTHETIC & UNIQUE APPEARANCE. ANTI-CORROSIVE FINISH.



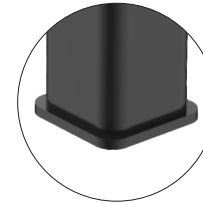
2. DZR brass

HIGH-GRADE DZR BRASS IS RESISTANT TO DEZINCIFICATION, A FORM OF CORROSION. THIS ENSURES THE MEISSEN PRODUCTS HAVE BETTER LONGEVITY.



6. Base plate

USED TO ALLOW FOR BETTER COVERAGE OF BASIN TAP HOLE.



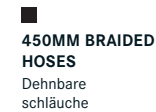
3. Easy tubular fixations

PROVIDES THE INSTALLER WITH AN EASIER INSTALLATION; SIMPLY TIGHTEN THE FIXATION BY HAND. NO TOOLS REQUIRED.



7. 450mm braided hoses

PROVIDES MORE THAN ADEQUATE LENGTH FOR THE INSTALLER IN ORDER TO CONNECT TO THE WATER INLET SUPPLY.



4. Neoperl swivel easy-clean aerator

ALLOWS THE USER TO ORIENTATE THE FLOW DIRECTION & EASILY CLEAN.



5 YEAR GUARANTEE





Neoperl is a German company, and the world's leading aerator manufacturer. The Neoperl easy-clean aerator allows for easy cleaning & removal of debris caught in the aerator, with a simple and gentle rub.

PERFORMANCE

The aerator is a key component in the overall performance of the faucet. The aerator determines how the water is delivered to the user. Meissen's ranges of faucets utilize the best aerator technologies available.

GERMAN / SWISS TECHNOLOGY

All of Meissen's ranges use Neoperl aerators. Each with different features and benefits for functionality and efficiency.

FEATURES AND BENEFITS

Neoperl aerators have 3 functions:

1. To aerate the stream of water, softening the feel of water and giving the perception of a heavier volume of water by adding air. (water saving).
2. Acts as a filter, catching any sediment, lime scale and debris which has passed through the cartridge. The Onex, Alvar, Alvar Graphite and Tresar ranges have an easy-to-clean functionality. Simply rub the face of the aerator to extract the captured solids. The Sterlyn and Sterlyn Double Black ranges have an added adjustable multi-directional, easy-clean aerator.
3. Flow rate: All basin mixers with easy-clean and directional control technology are limited to 6l/minute. This can be reduced further on special request.

FROM NEOPERL THEMSELVES

The research & development department in Mullheim (Germany) is our "innovation engine." In our first-class state-of-the-art facilities we develop competitive solutions tailored to the multifaceted needs of our international clients. To do so, we rely on the valuable input provided by our customers and partners. Together, we keep exploring - and pushing - the boundaries of the technically feasible and thus develop tomorrow's solutions today. In order to secure our leading position quality-wise, we rely on automation to the greatest possible extent, while every single production step is subject to an integrated, 100% quality control process.

WWW.NEOPERL.NET



flow, stop and go®



RAW MATERIAL

Ceramic discs

Our cartridges use high precision technical sintered ceramic discs with high wear resistance. Flatness of contact surfaces and accurated roughness for correct lubrication maintain the service life of the cartridges above current standards.

Material in contact with water

All material in contact with water is certified by international norms such as ACS (France), KTW&W270 (Germany), Watermark (Australia), NSF (USA), WRAS (UK), etc.

All materials in water do not cause any modification in water quality, appereance or taste.

Plastic raw material

The structure of the cartridge such as cartridge cover, base and lever, are manufactured using advanced engineering plastics. That has an amorphous molecular structure that provides excellent heat resistance to acids and alkalis; mechanical properties which provides to the cartridge strength and stability.

The inside parts, which provide the movement for the ceramic mixers (using special POM with MoS₂), provides excellent fatigue endurance, friction, abrasion and wear characteristics; and also bring smooth hardness to the movement and extend cartridge life.



citec





EDGE SERIES

Sophistication through simplicity.

Raffinesse durch Einfachheit.



Pemlee

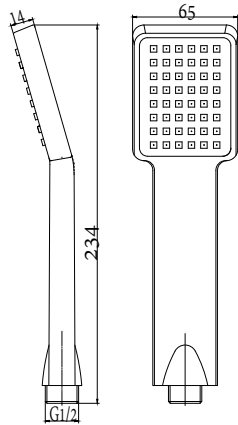

EDGE MIELA

series



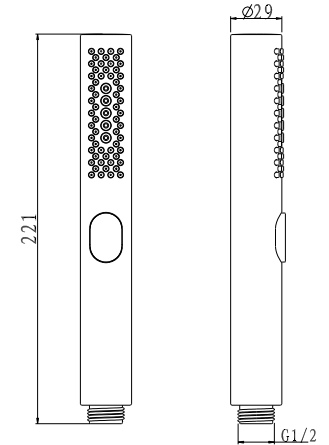

DOUBLE BLACK HAND SHOWER

MS-ZY-S600-BP1
Single function hand shower, symmetrical flow pattern, TPE nozzles, 6L flow rate restrictor (optional), 1/2" thread, EPDM washer, ABS, Double black finish.

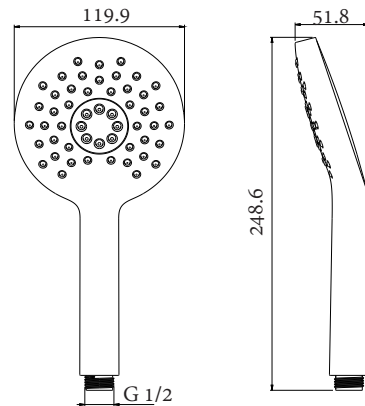

TUBULAR HAND SHOWER

MMHST3
Multifunction hand shower, 3-function symmetrical flow pattern, TPE nozzles, 6L flow rate restrictor (optional), 1/2" thread, EPDM washer, ABS, Chrome plated: Ni:8-10, Cr:0.25-0.3

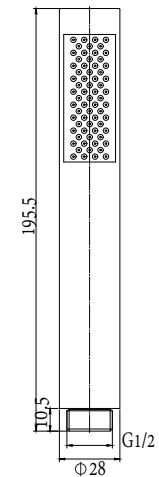
ROUND HAND SHOWER

MMHSR3
Multifunction hand shower, 3-function symmetrical flow pattern, TPE nozzles, 6L flow rate restrictor (optional), 1/2" thread, EPDM washer, ABS, Chrome plated: Ni:8-10, Cr:0.25-0.3

TUBULAR GRAPHITE HAND SHOWER

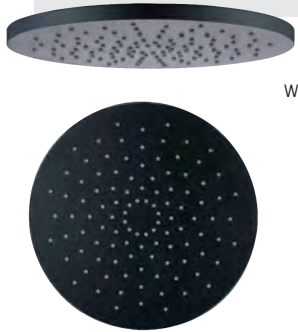
MS-HS006-GM
Single function hand shower, symmetrical flow pattern, TPE nozzles, 6L flow rate restrictor (optional), 1/2" thread, EPDM washer, Solid brass, Graphite finish.



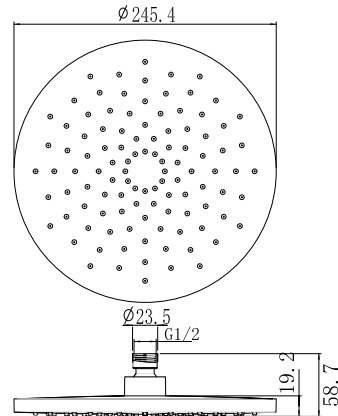
EDGE MIELA

series

DOUBLE BLACK 245mm ROUND SHOWER ROSE



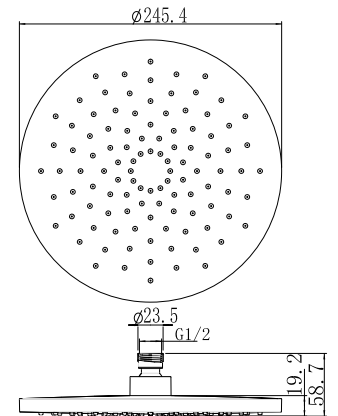
MMSRR1B
245mm round shower rose
Water saving rose with 6L flowrate restrictor.
Double Black finish.



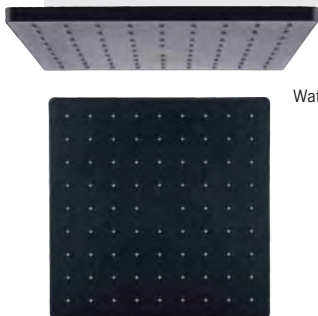
245mm ROUND SHOWER ROSE



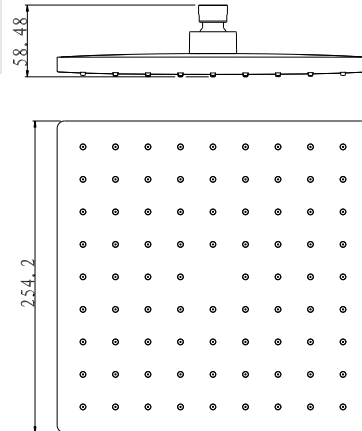
MMSRR1
245mm round shower rose
Water saving rose with 6L flowrate restrictor.
Chrome plated: Ni:8-10, Cr:0,25-0,3



DOUBLE BLACK 254mm SQUARE SHOWER ROSE



MMSRS1B
254mm square shower rose
Water saving rose with 6L flowrate restrictor.
Double Black finish..

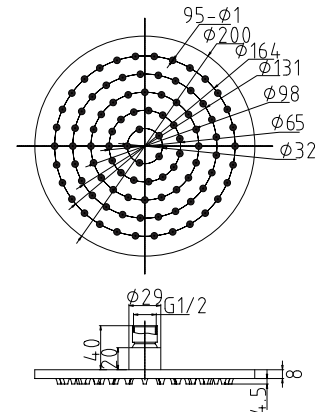


GRAPHITE 200mm ROUND SHOWER ROSE



MSRG200
200mm round shower rose,
Water saving rose with 6L flowrate
restrictor, solid brass,
Graphite finish.

SABS 1480 (BS EN 1286)

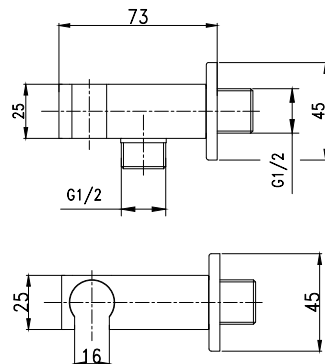


EDGE MIELA

series

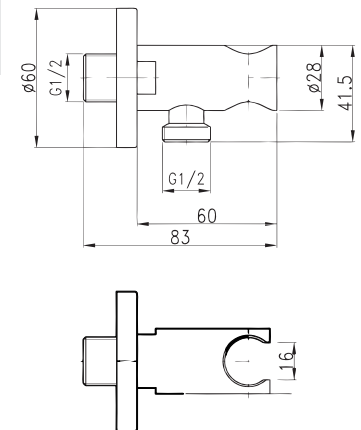
SQUARE SHOWER ELBOW & CRADLE

MMSESC
 Square shower elbow & cradle
 1/2" outlet with cradle for hand shower,
 CP flange, Solid brass,
 Chrome plated: Ni:8-10, Cr: 0,25-0,3



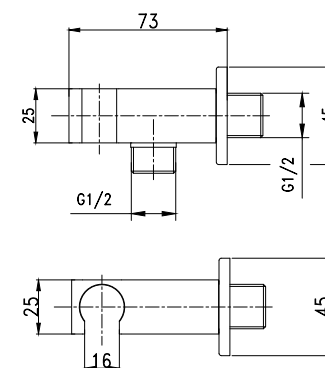
ROUND SHOWER ELBOW & CRADLE

MMSERC
 Round shower elbow & cradle
 1/2" outlet with cradle for hand shower,
 CP flange, Solid brass,
 Chrome plated: Ni:8-10, Cr: 0,25-0,3



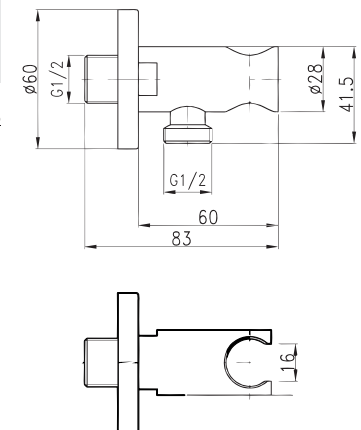
DOUBLE BLACK SQUARE SHOWER ELBOW & CRADLE

EW012SB
 Square shower elbow & cradle
 1/2" outlet with cradle for hand shower,
 CP flange, Solid brass,
 Double black finish.



DOUBLE BLACK ROUND SHOWER ELBOW & CRADLE

EW012RB
 Round shower elbow & cradle
 1/2" outlet with cradle for hand shower,
 CP flange, Solid brass,
 Double black finish.



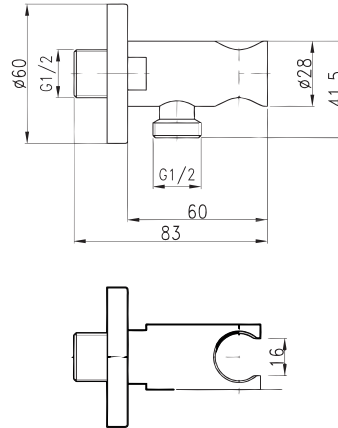
EDGE MIELA

series

GRAPHITE ROUND SHOWER ELBOW & CRADLE



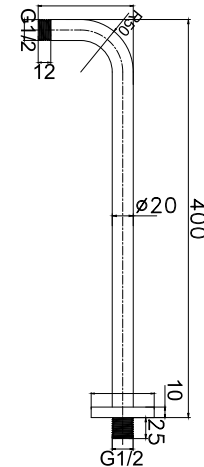
EWO12RG
 Round shower elbow & cradle
 1/2" outlet with cradle for hand shower,
 CP flange, Solid brass,
 Graphite finish.



GRAPHITE 400MM ROUND SHOWER ARM



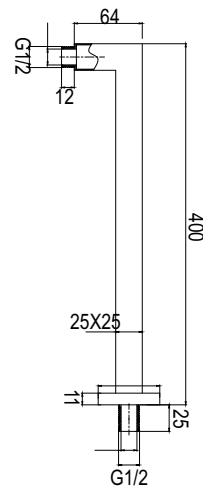
MSAG1
 400mm round shower arm,
 304 stainless steel cover plate,
 Graphite finish.
 SABS 1480 (BS EN 1286)



DOUBLE BLACK 400MM SQUARE SHOWER ARM



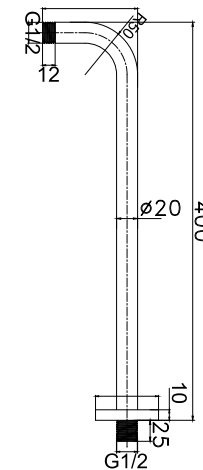
MMSAS400B
 400mm square shower arm,
 1/2" threads,
 Double black finish.



DOUBLE BLACK 400MM SHOWER ARM



MMSAR400B
 400mm round shower arm,
 1/2" threads,
 Double black finish.

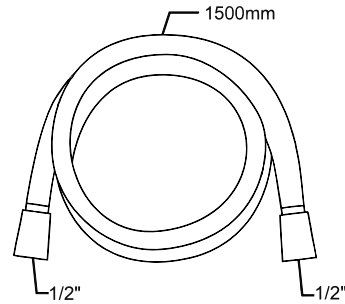


EDGE MIELA

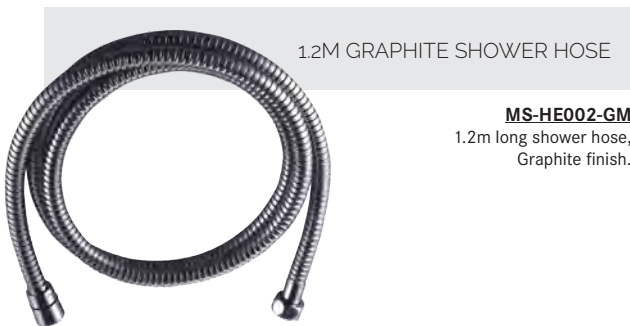
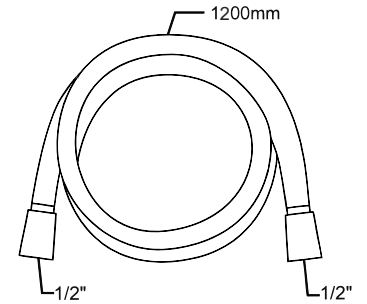
series



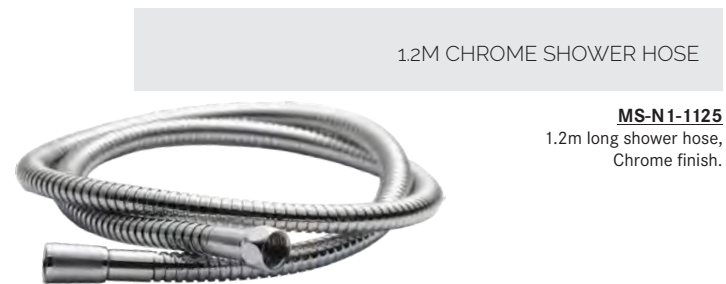
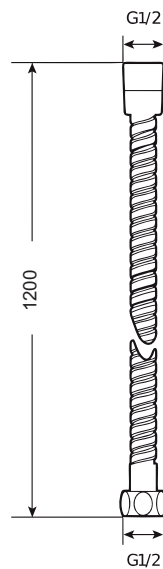
MMPH1.5
1.5m long shower hose,
PE anti-corrosive aesthetic sleeve,
includes 2 x silicone washers.



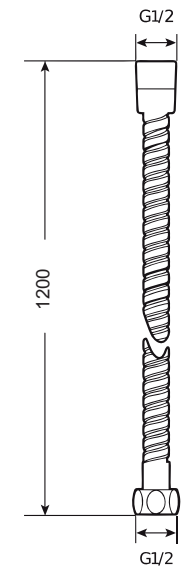
MS-HE002-B
1.2m long shower hose,
PE anti-corrosive aesthetic sleeve,
includes 2 x silicone washers.
Double black finish.



MS-HE002-GM
1.2m long shower hose,
Graphite finish.



MS-N1-1125
1.2m long shower hose,
Chrome finish.



EDGE MIELA

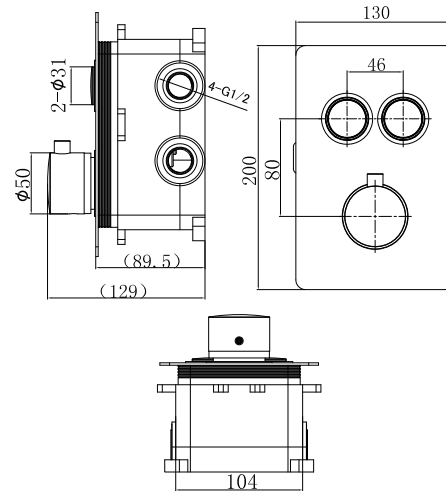
series



THERMOSTATIC DIVERTER MIXER

T105EC

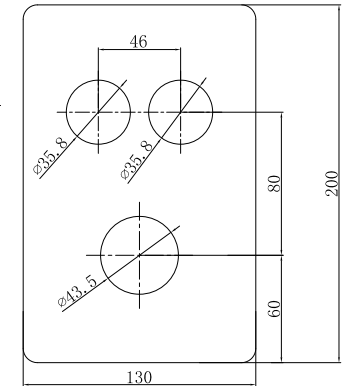
Thermostatic temperature select mixer,
Thermostatic valve with safety lock at 38°C,
Flow function diverter buttons,
Includes installation box & chrome plated cover plate.



THERMOSTATIC GRAPHITE & DOUBLE BLACK COVER PLATES

S-PT105EG & S-PT105EDB

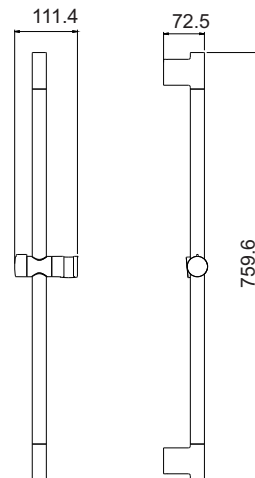
Thermostatic mixer plates.
Graphite finish - solid Brass.
Double Black Finish - Stainless Steel.



760MM SLIDING RAIL

MMSR

760mm long adjustable sliding rail,
adjustable hand shower cradle,
20mm Ø, Chrome plated, 304 SS tube.

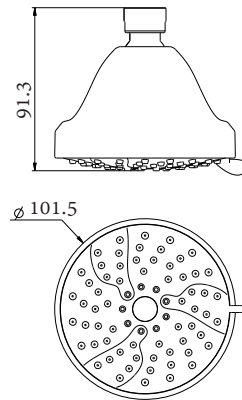


EDGE VOS
series

100MM SHOWER ROSE



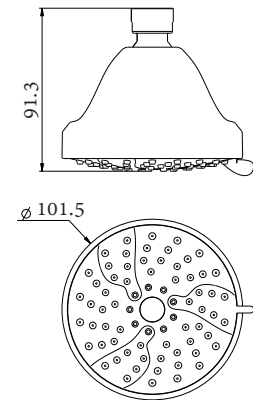
MVSRR3
3 function 100mm round shower rose, symmetrical flow pattern, TPE nozzles, 6L flow rate restrictor (optional), 1/2" thread, EPDM washer, ABS
Chrome plated: Ni:8-10, Cr:0,25-0.3




DOUBLE BLACK 100MM SHOWER ROSE



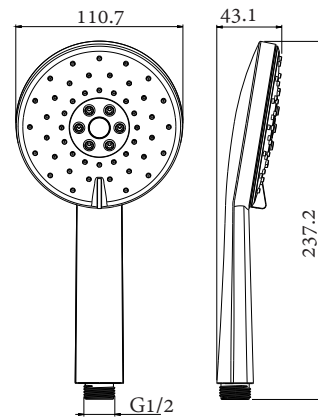
MVSRR3B
3 function 100mm round shower rose, symmetrical flow pattern, TPE nozzles, 6L flow rate restrictor (optional), 1/2" thread, EPDM washer, ABS, Double Black finish.



ROUND HAND SHOWER



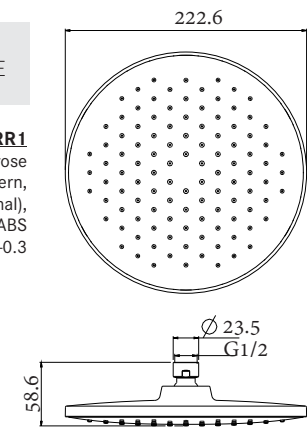
MVHSR1
Multifunction hand shower, 3-function symmetrical flow pattern, TPE nozzles, 6L flow rate restrictor (optional), 1/2" thread, EPDM washer, ABS
Chrome plated: Ni:8-10, Cr:0,25-0.3



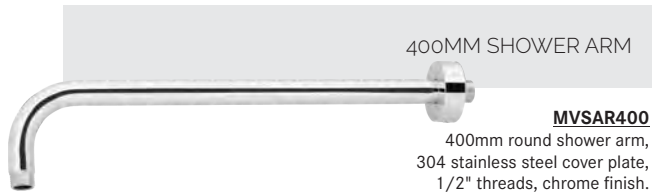
220MM ROUND SHOWER ROSE



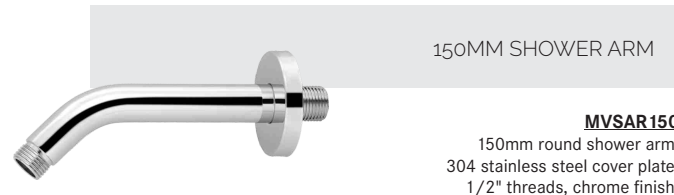
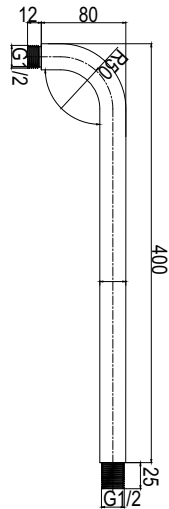
MVSRR1
220mm round shower rose symmetrical flow pattern, TPE nozzles, 6L flow rate restrictor (optional), 1/2" thread, EPDM washer, ABS
Chrome plated: Ni:8-10, Cr:0,25-0.3



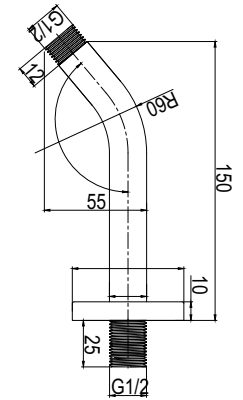
EDGE VOS
series



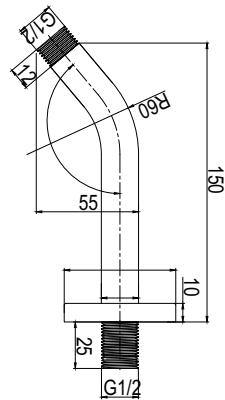
MVSAR400
400mm round shower arm,
304 stainless steel cover plate,
1/2" threads, chrome finish.



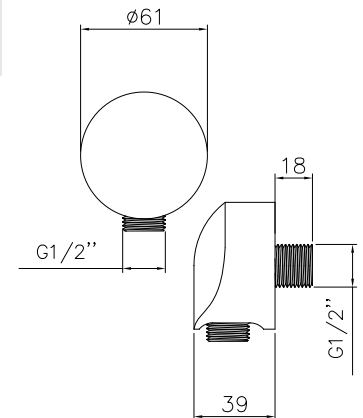
MVSAR150
150mm round shower arm,
304 stainless steel cover plate,
1/2" threads, chrome finish.



MVSAR150B
150mm round shower arm,
1/2" threads,
Double Black finish.



MVSEER
Round shower elbow
ABS chrome plated cover plate,
1/2" x 1/2" brass threaded elbow.

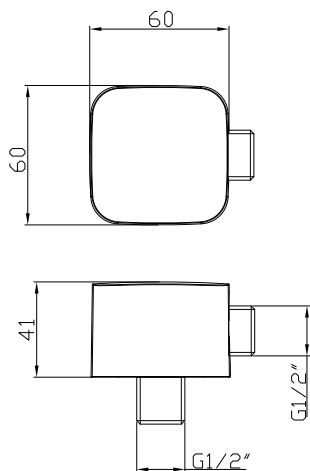


EDGEVOS
series



SQUARE SHOWER ELBOW

MVSES
Square shower elbow
ABS chrome plated cover plate,
1/2" x 1/2" brass threaded elbow.



MEISSEN SPARES



	CARTRIDGES	AERATOR	FIXATION SET	BRASS NUT	COVER DOME	BRAIDS	HANDLE	SPOUTS	BASE PLATE	HAND SHOWER	HOSE	CRADLE	COVER PLATE	DIV COVER PLATE	DIVERTER BUTTON	INSTALLATION BOX
ALVAR	SL220AV	MS-9837-7	MS-3810	MS-N1-3026	MS-2016N	MS-2015N	MS-D0900-450-XUARRA	MS-2080								
	SL220AVL	MS-9837-7	MS-3810	MS-N1-3026	MS-2016N	MS-2015N	MS-D0900-450-XUARRA	MS-2080								
	SL100AV	MS-9838T-7			MS-2016N	MS-2015N		MS-2080					MS-1192T			
	SL105AV	MS-9838T-7			MS-2016N	MS-2015N		MS-2080						MS-1194T	MS-1396	
	SL210AV	MS-9838T-7	MS-3826		MS-2016N	MS-2015N		MS-2080	MS-0819							
	SL240AV	MS-9837-7	MS-3831-A	MS-N1-3026	MS-2016N	MS-2015N	MS-D0900-450-XUARRA	MS-2080								
	SL120AVW	MS-9838T-7	MS-3810-D		MS-2016N	MS-2015N		MS-2080		MS-ZY-S703	MS-N1-1125	MS-ZY-0754			MS-1917	
	SL220AVW	MS-9838T-7	MS-3827		MS-2016N	MS-2015N		MS-2080						MS-695001-2		
	SL301AV	MS-9838T-7	MS-NP-3833-A	MS-N1-3026	MS-2016N	MS-2015N	MS-D0900-450-XUARRA	MS-2080	MS-3910D-2							
SL500AV	MS-9817	MS-3810-D		MS-2016N	MS-2015N		MS-2080			MS-ZY-S590	MS-HE005		MS-MB008		MS-4978C-2	MS-4925C-7
ONE X	SL220OX	MS-9837-7	MS-3833	MS-N1-3026	MS-2016N	MS-2015N	MS-D0900-450-XUARRA	MS-2090		MS-BWA36-7						
	SL220OXL	MS-9837-7	MS-3833	MS-N1-3026	MS-2016N	MS-2015N	MS-D0900-450-XUARRA	MS-2099		MS-1571						
	SL100OX	MS-9838T-7			MS-2016N	MS-2015N		MS-2090					MS-1192N-44			
	SL105OX	MS-9838T-7			MS-2016N	MS-2015N		MS-2090						MS-1194N-44	MS-1396	
	SL210OX	MS-9838T-7	MS-NP-3833-C		MS-2016N	MS-2015N		MS-2090	MS-0819-250							
	SL240OX	MS-9834-7	MS-3831-A	MS-S2496-90	MS-2016N	MS-2015N	MS-D0900-450-XUARRA	MS-2090		MS-BWA36-7						
	SL120OXW	MS-9838T-7	MS-NP-3833-D		MS-2016N	MS-2015N		MS-2090			MS-ZY-S533	MS-N1-1125	MS-ZY-0754		MS-1392.1	
	SL301OX	MS-9838T-7	MS-NP-3833-C	MS-N1-3026	MS-2016N	MS-2015N	MS-D0900-450-XUARRA	MS-2099	MS-2583	MS-2846N						
	SL500OX	MS-9817	MS-3810-D		MS-2016N	MS-2015N		MS-2099			MS-ZY-S590	MS-HE005		MS-MB008		MS-4925C-2
STERLYN	SL220SN	MS-9837-7	MS-3827	MS-N1-3026	MS-2016N	MS-2015N	MS-D0900-450-XUARRA	MS-2803		MS-3847						
	SL220SNL	MS-9837-7	MS-3827	MS-N1-3026	MS-2016N	MS-2015N	MS-D0900-450-XUARRA	MS-2803		MS-3847						
	SL100SN	MS-9838T-7			MS-2016N	MS-2015N		MS-2803					MS-6920P-2			
	SL105SN	MS-9838T-7			MS-2016N	MS-2015N		MS-2803						MS-6920V-1	MS-1396	
	SL210SN	MS-9838T-7	MS-NP-3833-C		MS-2016N	MS-2015N		MS-2803	MS-0819-250							
	SL240SN	MS-9834-7	MS-3831-A	MS-S2494	MS-2016N	MS-2015N	MS-D0900-450-XUARRA	MS-2803		MS-3847A						
	SL120SNW	MS-9838T-7	MS-NP-2801-D		MS-2016N	MS-2015N		MS-2803			MS-ZY-S600	MS-N1-1125	MS-ZY-B07		MS-1392	
	SL220SNW	MS-9838T-7	MS-3827		MS-2016N	MS-2015N		MS-2803						MS-695001-2		
	SL301SN	MS-9838T-7	MS-3821B	MS-N1-3026	MS-2016N	MS-2015N	MS-D0900-450-XUARRA	MS-2803	MS-2875	MS-3847						

MEISSEN SPARES



	CARTRIDGES	AERATOR	FIXATION SET	BRASS NUT	COVER DOME	BRAIDS	HANDLE	SPOUTS	BASE PLATE	HAND SHOWER	HOSE	CRADLE	COVER PLATE	DIV COVER PLATE	DIVERTER BUTTON	INSTALLATION BOX
EVONY	SL220EV	MS-9834-7	MS-3800	MS-N1-3026	MS-2016N	MS-2015N	MS-D0900-450-XUARRA	MS-2069N		MS-2846N						
	SL220EVL	MS-9834-7	MS-3800	MS-N1-3026	MS-2016N	MS-2015N	MS-D0900-450-XUARRA	MS-2069N		MS-2846N						
	SL100EV	MS-9838T-7			MS-2016N	MS-2015N		MS-2069N					MS-2864N			
	SL105EV	MS-9838T-7			MS-2016N	MS-2015N		MS-2069N						MS-2867N	MS-1492N	
	SL210EV	MS-9838T-7	MS-3826		MS-2016N	MS-2015N		MS-2069N	MS-0819							
	SL240EV	MS-9834-7	MS-3831-A	MS-S2494	MS-2016N	MS-2015N	MS-D0900-450-XUARRA	MS-2069N		MS-2846N						
	SL120EVVW	MS-9838T-7	MS-NP-2800-D		MS-2016N	MS-2015N		MS-2069N			MS-ZY-S600	MS-N1-1125	MS-ZY-0754			MS-1392.3
	SL301EV	MS-9838T-7	MS-NP-3833-A	MS-N1-3026	MS-2016N	MS-2015N	MS-D0900-450-XUARRA	MS-2069N	MS-HS945-3	MS-2846N						
SL500EV	MS-9817	MS-3810-D		MS-2016N	MS-2015N		MS-2069N			MS-ZY-S590	MS-HE005		MS-MB008		MS-4974C-3	MS-4925C-7
TRESAR	SL220TR	MS-9838T-7	MS-3810	MS-N1-3026	MS-2016N	MS-2015N	MS-D0900-450-XUARRA	MS-2086		MS-2846N						
	SL220TRL	MS-9838T-7	MS-3810	MS-N1-3026	MS-2016N	MS-2015N	MS-D0900-450-XUARRA	MS-2086		MS-2846N						
	SL100TR	MS-9838T-7			MS-2016N	MS-2015N		MS-2086					MS-2107N-35			
	SL105TR	MS-9838T-7			MS-2016N	MS-2015N		MS-2086						MS-2108N-35	MS-1396	
	SL210TR	MS-9838T-7	MS-3826		MS-2016N	MS-2015N		MS-2086	MS-08019							
	SL240TR	MS-9838T-7	MS-3831-A	MS-S2546	MS-2016N	MS-2015N	MS-D0900-450-XUARRA	MS-2086		MS-2846N						
	SL120TRW	MS-9838T-7	MS-NP-2800-D		MS-2016N	MS-2015N		MS-2086			MS-ZY-S590	MS-N1-1125	MS-ZY-0754			MS-1392.2
	SL301TR	MS-9838T-7	MS-NP-3833-A	MS-N1-3026	MS-2016N	MS-2015N	MS-D0900-450-XUARRA	MS-2086	MS-91100-2	MS-2846N						
STERLYN DOUBLE BLACK	SL220SNB	MS-9837-7	MS-3827	MS-N1-3026	MS-2016N	MS-1632-B	MS-D0900-450-XUARRA	MS-2803-B		MS-3847-B						
	SL220SNLB	MS-9837-7	MS-3827	MS-N1-3026	MS-2016N	MS-1632-B	MS-D0900-450-XUARRA	MS-2803-B		MS-3847-B						
	SL100SNB	MS-9838T-7			MS-2016N	MS-1632-B		MS-2803-B					MS-6920P-2-B			
	SL105SNB	MS-9838T-7			MS-2016N	MS-1632-B		MS-2803-B						MS-6920V-1-B	MS-1396-B	
	SL210SNB	MS-9838T-7	MS-NP-3833-C		MS-2016N	MS-1632-B		MS-2803-B	MS-0819-250-B							
	SL240SNB	MS-9834-7	MS-3831-A	MS-S2494	MS-2016N	MS-1632-B	MS-D0900-450-XUARRA	MS-2803-B		MS-3847A-B						
	SL120SNWB	MS-9838T-7	MS-NP-2801-D		MS-2016N	MS-1632-B		MS-2803-B			MS-ZY-S600BP1	MS-HE002-B	MS-ZY-B07-BP1			MS-1392-B
	SL220SNWB	MS-9838T-7	MS-3827		MS-2016N	MS-1632-B		MS-2803-B						MS-695001-2-B		
SL301SNB	MS-9838T-7	MS-3821B	MS-N1-3026	MS-2016N	MS-1632-B	MS-D0900-450-XUARRA	MS-2803-B	MS-2875-B	MS-3847-B							

MEISSEN SPARES



	CARTRIDGES	AERATOR	FIXATION SET	BRASS NUT	COVER DOME	BRAIDS	HANDLE	SPOUTS	BASE PLATE	HAND SHOWER	HOSE	CRADLE	COVER PLATE	DIV COVER PLATE	DIVERTER BUTTON	INSTALLATION BOX
ALVAR GRAPHITE	SL220AVG	MS-9837-7	MS-3827	MS-N1-3026	MS-2016N	MS-1632-GM	MS-D0900-450-XUARRA	MS-2080-GM								
	SL220AVLG	MS-9837-7	MS-3827	MS-N1-3026	MS-2016N	MS-1632-GM	MS-D0900-450-XUARRA	MS-2080-GM								
	SL100AVG	MS-9838T-7			MS-2016N	MS-1632-GM		MS-2080-GM					MS-1192T-GM			
	SL105AVG	MS-9838T-7			MS-2016N	MS-1632-GM		MS-2080-GM						MS-1194T-GM	MS-1396-GM	
	SL210AVG	MS-9838T-7	MS-3826 0723-GM		MS-2016N	MS-1632-GM		MS-2080-GM	MS-0819-GM							
	SL240AVG	MS-9837-7	MS-HZ-1177-GM	MS-N1-3026	MS-2016N	MS-1632-GM	MS-D0900-450-XUARRA	MS-2080-GM								
	SL120AVWG	MS-9838T-7	MS-NP-3833-D 0723-GM		MS-2016N	MS-1632-GM		MS-2080-GM		MS-HS006-GM	MS-HE002-GM	MS-ZJ002-GM			MS-1917-GM	
	SL220AVWG	MS-9838T-7	MS-3827		MS-2016N	MS-1632-GM		MS-2080-GM						MS-695001-2-GM		
	SL301AVG	MS-9838T-7	MS-NP-3833-A 0726N-GM	MS-N1-3026	MS-2016N	MS-1632-GM	MS-D0900-450-XUARRA	MS-2080-GM	MS-3910D-2-GM							
	SL500AVG	MS-9817	MS-NP-3833-D 0723-GM		MS-2016N	MS-1632-GM		MS-2080-GM			MS-HS006-GM	MS-HE002-GM		MS-MB008-GM	MS-4978C-2-GM	MS-4925C-7
THERMOSTATIC MIXER	BUTTONS	HANDLE	FUNCTION CARTRIDGE	THERMOSTATIC CARTRIDGE												
	T105EC	MS-PG-1050P4	MS-PG-1050P5	MS-PG-1050P6	MS-PG-1050P7											

Sophistication through simplicity.

Raffinesse durch Einfachheit.



WWW.MYMEISSEN.COM

**DISTRIBUTED BY CACHET
FOR MORE INFORMATION PLEASE CALL**

DURBAN	CAPETOWN	JOHANNESBURG	PORT ELIZABETH
031 780 3000	021 934 1991	011 201 4600	041 451 4531

The use of trademarks, product design and artwork is subject to license or agreement with Meissen's directors and design department.
The design registrations, trademark registrations and copyrights are protected by law and the use or reproduction outside the terms of an agreement is prohibited.
The right to modify designs and dimensions is reserved.