



catalogue



"Welcome to the Meissen Family"

"Wir heißen sie herzlich willkommen in der Meissen Familie"

Sophistication through simplicity.

Raffinesse durch Einfachheit.





The Meissen ranges of clean, innovative and elegant taps is inspired by the magnificent and timeless mountain ranges of Eastern Germany. Developed to feature as not only a faucet, but as a beautiful and breathtaking piece of art

Meissen's signature series - crafted from high-grade DZR brass, state of the art technology and a passion for innovation. Creating a leading premium look and feel.

Using the most advanced engineering equipment & technology, we are able to create the most beautiful & high-quality designs.

Meissen fuses brand and quality together, creating uniquely trademarked products.

We are proud to be working with designers who continuously create pioneering, innovative & beautiful products that everyone can enjoy.

CATALOGUE CONTENTS

FAUCETS

ONEX	5
EVONY	6
TRESAR	7
ALVAR	8
ALVAR GRAPHITE	9
STERLYN	10
STERLYN DOUBLE BLACK	11

SHOWER

EDGE	12
------	----

OTHER

WASTES & NIKKIE	13
-----------------	----





Sophistication through simplicity.

Raffinesse durch Einfachheit.



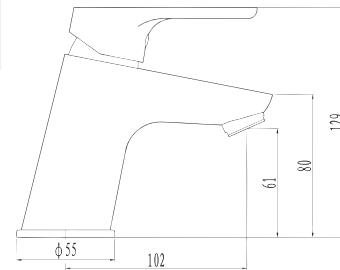


BASIN MIXER

SL2200X

Deck type basin mixer:
One hole, single lever, easy-clean aerator, 35mm citec cartridge, tubular fixation kit, 2 x 450mm x 15mm flexible connectors, DZR brass, Ni: 8-10 Cr: 0.25-0.3, EPDM o-rings.

SABS 1480 (BS EN 1286)

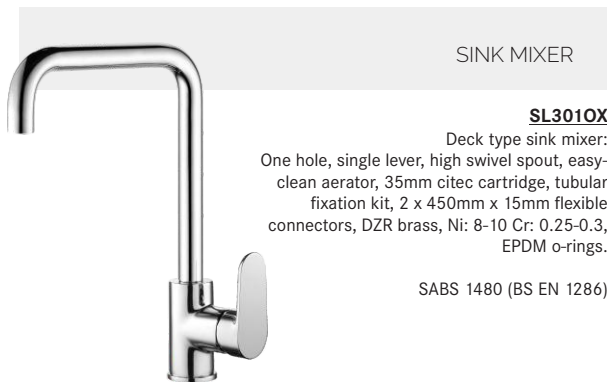
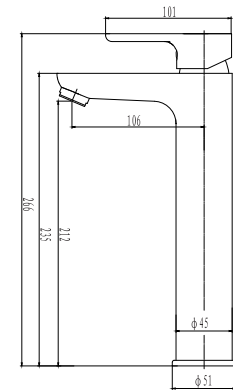


HIGH RISE BASIN MIXER

SL2200XL

High rise basin mixer:
One hole, single lever, easy-clean aerator, 35mm citec cartridge, tubular fixation kit, 2 x 450mm x 15mm flexible connectors, DZR brass, Ni: 8-10 Cr: 0.25-0.3, EPDM o-rings.

SABS 1480 (BS EN 1286)

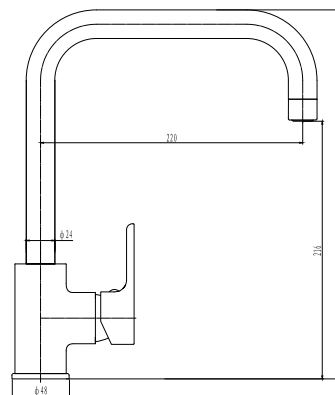


SINK MIXER

SL3010X

Deck type sink mixer:
One hole, single lever, high swivel spout, easy-clean aerator, 35mm citec cartridge, tubular fixation kit, 2 x 450mm x 15mm flexible connectors, DZR brass, Ni: 8-10 Cr: 0.25-0.3, EPDM o-rings.

SABS 1480 (BS EN 1286)

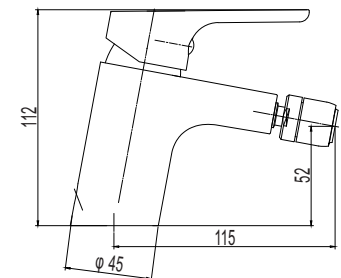


BIDET MIXER

SL2400X

Bidet mixer:
One hole, single lever, easy-clean aerator, 35mm citec cartridge, tubular fixation kit, 2 x 450mm x 15mm flexible connectors, DZR brass, Ni: 8-10 Cr: 0.25-0.3, EPDM o-rings.

SABS 1480 (BS EN 1286)



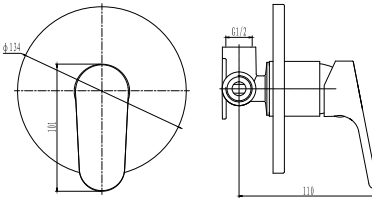


CONCEALED BATH / SHOWER MIXER

SL1000X

Bath/Shower concealed mixer:
Sliding CP cover plate, 35mm citec cartridge, 2 x G1/2" FI inlets & 1 x G1/2" FI outlet, DZR brass, Ni: 8-10 Cr: 0.25-0.3, EPDM o-rings.

SABS 1480 (BS EN 1286)

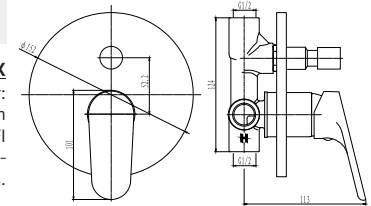


CONCEALED BATH / SHOWETR DIVERTER MIXER

SL1050X

Bath/Shower concealed diverter mixer:
Sliding CP cover plate, diverter push button, 35mm citec cartridge, 2 x G1/2" FI inlets & 2 x G1/2" FI outlets, DZR brass, Ni: 8-10 Cr: 0.25-0.3, EPDM o-rings.

SABS 1480 (BS EN 1286)

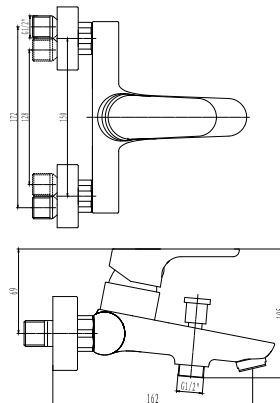


COMPLETE BATH MIXER

SL1200XW

Exposed wall type bath mixer:
Two hole, single lever, with Diverter, G1/2" s-connectors adjustable from 128mm - 172mm centres. Supplied with hand shower, hose, wall bracket, 35mm citec cartridge, easy-clean aerator, DZR brass, Ni: 8-10 Cr: 0.25-0.3, EPDM o-rings.

SABS 1480 (BS EN 1286)

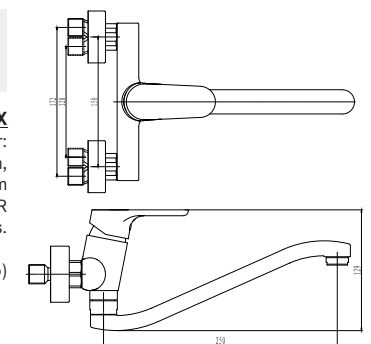


WALL TYPE SINK MIXER

SL2100X

Wall type sink mixer:
Two hole, single lever, swivel spout 250mm, G1/2" s-connectors adjustable from 128mm - 172mm centres, 35mm citec cartridge & easy-clean aerator, DZR brass, Ni: 8-10 Cr: 0.25-0.3, EPDM o-rings.

SABS 1480 (BS EN 1286)



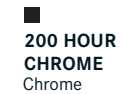
1. Citec cartridge

CITEC CARTRIDGES INCLUDE HIGH QUALITY CERAMIC DISKS WHICH ALLOW FOR SMOOTH ADJUSTMENT WHEN CHANGING THE TEMPERATURE & FLOW RATE OF THE WATER.



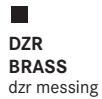
5. Chrome finish

A SUPERIOR CHROMING TECHNIQUE PROVIDES A BEAUTIFUL AESTHETIC APPEARANCE, EXCELLENT CORROSION RESISTANCE & AN EASIER SURFACE TO CLEAN.



2. DZR brass

HIGH-GRADE DZR BRASS IS RESISTANT TO DEZINCIFICATION, A FORM OF CORROSION. THIS ENSURES THE MEISEN PRODUCTS HAVE BETTER LONGEVITY.



6. Base plate

USED TO ALLOW FOR BETTER COVERAGE OF BASIN TAP HOLE.



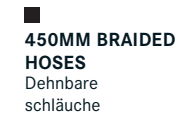
3. Easy tubular fixations

PROVIDES THE INSTALLER WITH AN EASIER INSTALLATION; SIMPLY TIGHTEN THE FIXATION BY HAND. NO TOOLS REQUIRED.



7. 450mm braided hoses

PROVIDES MORE THAN ADEQUATE LENGTH FOR THE INSTALLER IN ORDER TO CONNECT TO THE WATER INLET SUPPLY.



4. Neoperl easy-clean aerator

ALLOWS FOR EASY CLEANING & REMOVAL OF DEBRIS CAUGHT IN THE AERATOR.



15 YEAR GUARANTEE







Sophistication through simplicity.
Raffinesse durch Einfachheit.



Perplex

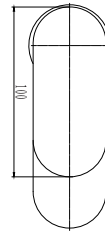
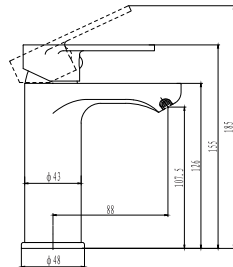


BASIN MIXER

SL220EV

Deck type basin mixer:
One hole, single lever, smile aerator, 35mm citec cartridge, tubular fixation kit, 2 x 450mm x 15mm flexible connectors, DZR brass, Ni: 8-10 Cr: 0.25-0.3, EPDM o-rings.

SABS 1480 (BS EN 1286)

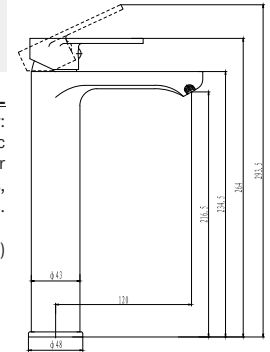


HIGH RISE BASIN MIXER

SL220EVL

High rise basin mixer:
One hole, single lever, smile aerator, 35mm citec cartridge, 2 x copper tube extensions, tubular fixation kit, 2 x 450mm x 15mm flexible connectors, DZR brass, Ni: 8-10 Cr: 0.25-0.3, EPDM o-rings.

SABS 1480 (BS EN 1286)

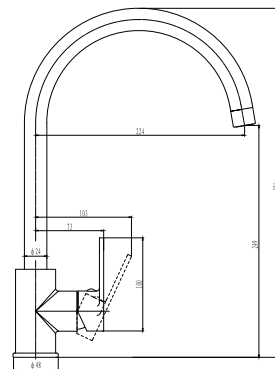


SINK MIXER

SL301EV

Deck type sink mixer:
One hole, single lever, high swivel spout, easy-clean aerator, 35mm citec cartridge, tubular fixation kit, 2 x 450mm x 15mm flexible connectors, DZR brass, Ni: 8-10 Cr: 0.25-0.3, EPDM o-rings.

SABS 1480 (BS EN 1286)

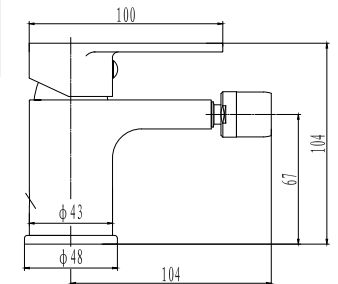


BIDET MIXER

SL240EV

Bidet mixer:
One hole, single lever, easy-clean aerator, 35mm citec cartridge, tubular fixation kit, 2 x 450mm x 15mm flexible connectors, DZR brass, Ni: 8-10 Cr: 0.25-0.3, EPDM o-rings.

SABS 1480 (BS EN 1286)



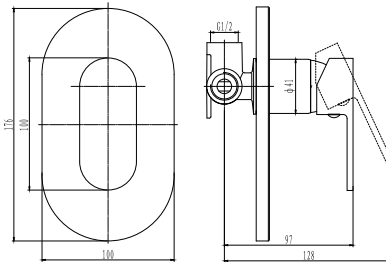


CONCEALED BATH / SHOWER MIXER

SL100EV

Bath/Shower concealed mixer:
Sliding CP cover plate, 35mm citec cartridge, 2 x G1/2" FI inlets & 1 x G1/2" FI outlet, DZR brass, Ni: 8-10 Cr: 0.25-0.3, EPDM o-rings.

SABS 1480 (BS EN 1286)

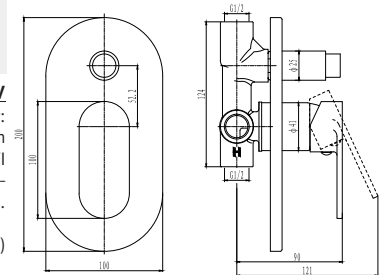


CONCEALED BATH / SHOWER DIVERTER MIXER

SL105EV

Bath/Shower concealed diverter mixer:
Sliding CP cover plate, diverter push button, 35mm citec cartridge, 2 x G1/2" FI inlets & 2 x G1/2" FI outlets, DZR brass, Ni: 8-10 Cr: 0.25-0.3, EPDM o-rings.

SABS 1480 (BS EN 1286)

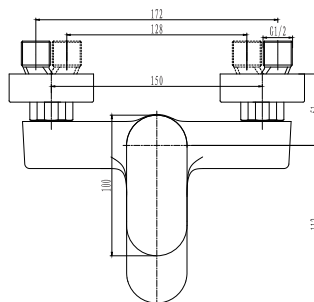


COMPLETE BATH MIXER

SL120EVW

Exposed wall type bath mixer:
Two hole, single lever, with Diverter, G1/2" s-connectors adjustable from 128mm - 172mm centres. Supplied with hand shower, hose, wall bracket, 35mm citec cartridge, easy-clean aerator, DZR brass, Ni: 8-10 Cr: 0.25-0.3, EPDM o-rings.

SABS 1480 (BS EN 1286)

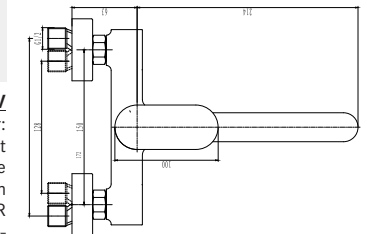


WALL TYPE SINK MIXER

SL210EV

Wall type sink mixer:
Two hole, single lever, swivel spout 214mm, G1/2" s-connectors adjustable from 128mm - 172mm centres, 35mm citec cartridge & easy-clean aerator, DZR brass, Ni: 8-10 Cr: 0.25-0.3, EPDM o-rings.

SABS 1480 (BS EN 1286)



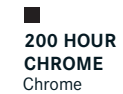
Citec cartridge

CITEC CARTRIDGES INCLUDE HIGH QUALITY CERAMIC DISKS WHICH ALLOW FOR SMOOTH ADJUSTMENT WHEN CHANGING THE TEMPERATURE & FLOW RATE OF THE WATER.



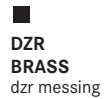
Chrome finish

A SUPERIOR CHROMING TECHNIQUE PROVIDES A BEAUTIFUL AESTHETIC APPEARANCE, EXCELLENT CORROSION RESISTANCE & AN EASIER SURFACE TO CLEAN.



DZR brass

HIGH-GRADE DZR BRASS IS RESISTANT TO DEZINCIFICATION, A FORM OF CORROSION. THIS ENSURES THE MEISSEN PRODUCTS HAVE BETTER LONGEVITY.



Base plate

USED TO ALLOW FOR BETTER COVERAGE OF BASIN TAP HOLE.



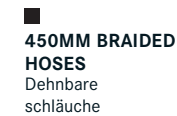
Easy tubular fixations

PROVIDES THE INSTALLER WITH AN EASIER INSTALLATION; SIMPLY TIGHTEN THE FIXATION BY HAND. NO TOOLS REQUIRED.



450mm braided hoses

PROVIDES MORE THAN ADEQUATE LENGTH FOR THE INSTALLER IN ORDER TO CONNECT TO THE WATER INLET SUPPLY.



Neoperl easy-clean aerator

ALLOWS FOR EASY CLEANING & REMOVAL OF DEBRIS CAUGHT IN THE AERATOR.



15 YEAR GUARANTEE







TRESAR SERIES

Sophistication through simplicity.

Raffinesse durch Einfachheit.



Penlee

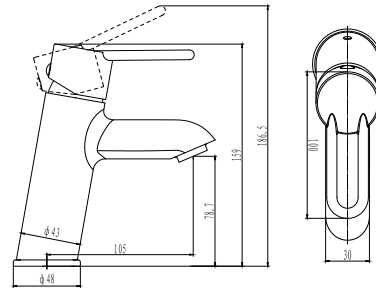


BASIN MIXER

SL220TR

Deck type basin mixer:
One hole, single lever, easy-clean aerator, 35mm citec cartridge, tubular fixation kit, 2 x 450mm x 15mm flexible connectors, DZR brass, Ni: 8-10 Cr: 0.25-0.3, EPDM o-rings.

SABS 1480 (BS EN 1286)

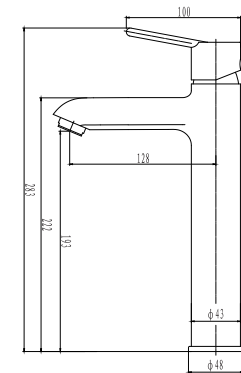


HIGH RISE BASIN MIXER

SL220TRL

High rise basin mixer:
One hole, single lever, easy-clean aerator, 35mm citec cartridge, tubular fixation kit, 2 x 450mm x 15mm flexible connectors, DZR brass, Ni: 8-10 Cr: 0.25-0.3, EPDM o-rings.

SABS 1480 (BS EN 1286)

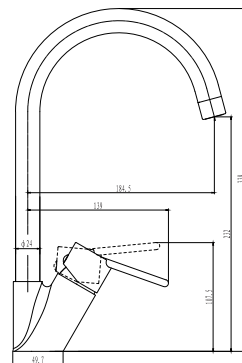


SINK MIXER

SL301TR

Deck type sink mixer:
One hole, single lever, high swivel spout, easy-clean aerator, 35mm citec cartridge, tubular fixation kit, 2 x 450mm x 15mm flexible connectors, DZR brass, Ni: 8-10 Cr: 0.25-0.3, EPDM o-rings.

SABS 1480 (BS EN 1286)

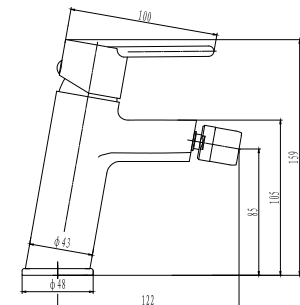


BIDET MIXER

SL240TR

Bidet mixer:
One hole, single lever, easy-clean aerator, 35mm citec cartridge, tubular fixation kit, 2 x 450mm x 15mm flexible connectors, DZR brass, Ni: 8-10 Cr: 0.25-0.3, EPDM o-rings.

SABS 1480 (BS EN 1286)



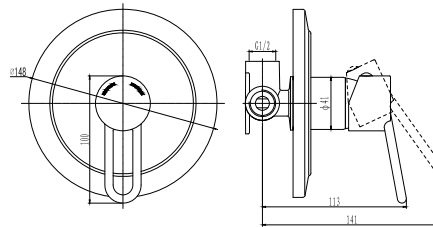


CONCEALED BATH / SHOWER MIXER

SL100TR

Bath/Shower concealed mixer:
Sliding CP cover plate, 35mm citec cartridge, 2 x G1/2" FI inlets & 1 x G1/2" FI outlet, DZR brass, Ni: 8-10 Cr: 0.25-0.3, EPDM o-rings.

SABS 1480 (BS EN 1286)

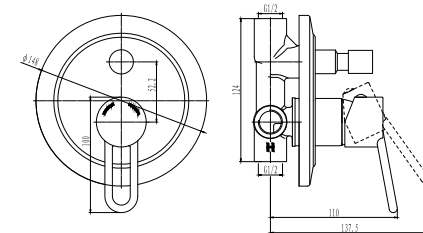


CONCEALED BATH / SHOWETR DIVERTER MIXER

SL105TR

Bath/Shower concealed diverter mixer:
Sliding CP cover plate, diverter push button, 35mm citec cartridge, 2 x G1/2" FI inlets & 2 x G1/2" FI outlets, DZR brass, Ni: 8-10 Cr: 0.25-0.3, EPDM o-rings.

SABS 1480 (BS EN 1286)

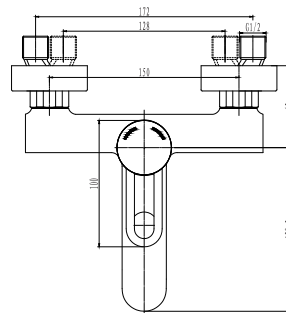


COMPLETE BATH MIXER

SL120TRW

Exposed wall type bath mixer:
Two hole, single lever, with Diverter, G1/2" s-connectors adjustable from 128mm - 172mm centres. Supplied with hand shower, hose, wall bracket, 35mm citec cartridge, easy-clean aerator, DZR brass, Ni: 8-10 Cr: 0.25-0.3, EPDM o-rings.

SABS 1480 (BS EN 1286)

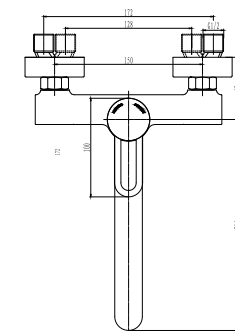


WALL TYPE SINK MIXER

SL210TR

Wall type sink mixer:
Two hole, single lever, swivel spout 214mm, G1/2" s-connectors adjustable from 128mm - 172mm centres, 35mm citec cartridge & easy-clean aerator, DZR brass, Ni: 8-10 Cr: 0.25-0.3, EPDM o-rings.

SABS 1480 (BS EN 1286)



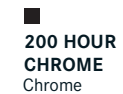
Citec cartridge

CITEC CARTRIDGES INCLUDE HIGH QUALITY CERAMIC DISKS WHICH ALLOW FOR SMOOTH ADJUSTMENT WHEN CHANGING THE TEMPERATURE & FLOW RATE OF THE WATER.



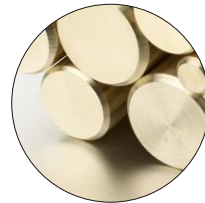
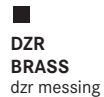
Chrome finish

A SUPERIOR CHROMING TECHNIQUE PROVIDES A BEAUTIFUL AESTHETIC APPEARANCE, EXCELLENT CORROSION RESISTANCE & AN EASIER SURFACE TO CLEAN.



DZR brass

HIGH-GRADE DZR BRASS IS RESISTANT TO DEZINCIFICATION, A FORM OF CORROSION. THIS ENSURES THE MEISSEN PRODUCTS HAVE BETTER LONGEVITY.



Base plate

USED TO ALLOW FOR BETTER COVERAGE OF BASIN TAP HOLE.



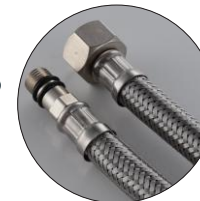
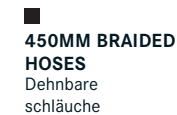
Easy tubular fixations

PROVIDES THE INSTALLER WITH AN EASIER INSTALLATION; SIMPLY TIGHTEN THE FIXATION BY HAND. NO TOOLS REQUIRED.



450mm braided hoses

PROVIDES MORE THAN ADEQUATE LENGTH FOR THE INSTALLER IN ORDER TO CONNECT TO THE WATER INLET SUPPLY.



Neoperl easy-clean aerator

ALLOWS FOR EASY CLEANING & REMOVAL OF DEBRIS CAUGHT IN THE AERATOR.



15 YEAR GUARANTEE







ALVAR SERIES

Sophistication through simplicity.

Raffinesse durch Einfachheit.



Pemlee

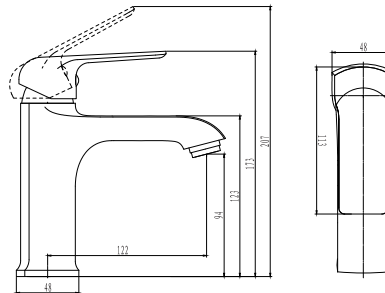


BASIN MIXER

SL220AV

Deck type basin mixer:
One hole, single lever, easy-clean aerator, 35mm citec cartridge, tubular fixation kit, 2 x 450mmx15mm flexible connectors, DZR brass, Ni: 8-10 Cr: 0.25-0.3, EPDM o-rings.

SABS 1480 (BS EN 1286)

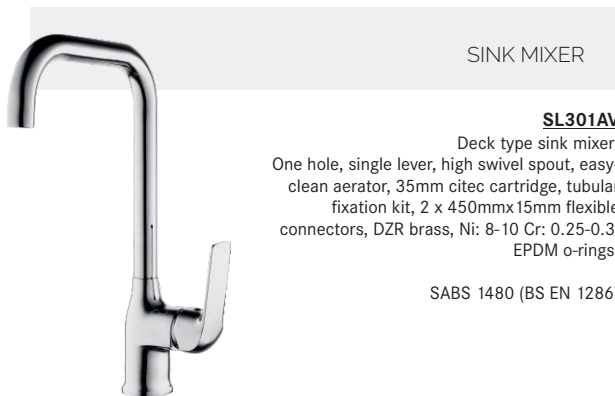
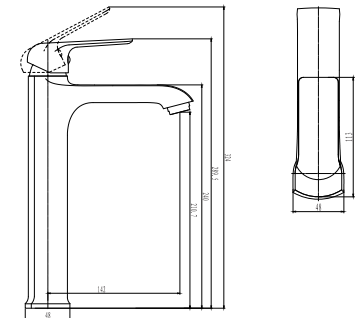


HIGH RISE BASIN MIXER

SL220AVL

High rise basin mixer:
One hole, single lever, easy-clean aerator, 35mm citec cartridge, 2 x copper tube extensions, tubular fixation kit, 2 x 450mmx15mm flexible connectors, DZR brass, Ni: 8-10 Cr: 0.25-0.3, EPDM o-rings.

SABS 1480 (BS EN 1286)

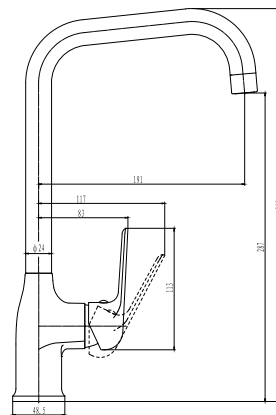


SINK MIXER

SL301AV

Deck type sink mixer:
One hole, single lever, high swivel spout, easy-clean aerator, 35mm citec cartridge, tubular fixation kit, 2 x 450mmx15mm flexible connectors, DZR brass, Ni: 8-10 Cr: 0.25-0.3, EPDM o-rings.

SABS 1480 (BS EN 1286)

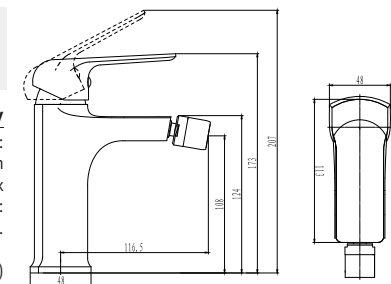


BIDET MIXER

SL240AV

Bidet mixer:
One hole, single lever, easy-clean aerator, 35mm citec cartridge, tubular fixation kit, 2 x 450mmx15mm flexible connectors, DZR brass, Ni: 8-10 Cr: 0.25-0.3, EPDM o-rings.

SABS 1480 (BS EN 1286)



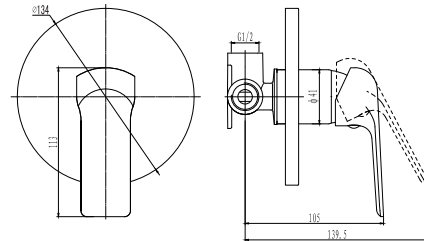


CONCEALED BATH / SHOWER MIXER

SL100AV

Bath/Shower concealed mixer:
Sliding CP cover plate, 35mm citec cartridge, 2 x G1/2" FI inlets & 1 x G1/2" FI outlet, DZR brass, Ni-8-10 Cr: 0.25-0.3, EPDM o-rings.

SABS 1480 (BS EN 1286)

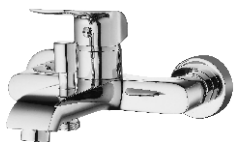
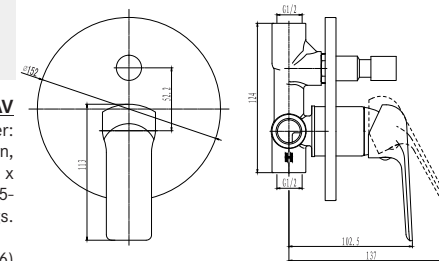


CONCEALED BATH / SHOWETR DIVERTER MIXER

SL105AV

Bath/Shower concealed diverter mixer:
Sliding CP cover plate, diverter push button, 35mm citec cartridge, 2 x G1/2" FI inlets & 2 x G1/2" FI outlets, DZR brass, Ni-8-10 Cr: 0.25-0.3, EPDM o-rings.

SABS 1480 (BS EN 1286)

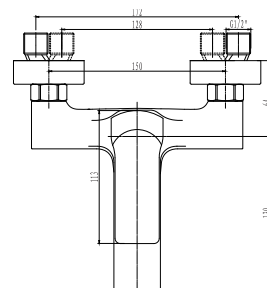


COMPLETE BATH MIXER

SL120AVW

Exposed wall type bath mixer:
Two hole, single lever, with Diverter, G1/2" s-connectors adjustable from 128mm - 172mm centres. Supplied with hand shower, hose, wall bracket, 35mm citec cartridge, easy-clean aerator, DZR brass, Ni-8-10 Cr: 0.25-0.3, EPDM o-rings.

SABS 1480 (BS EN 1286)

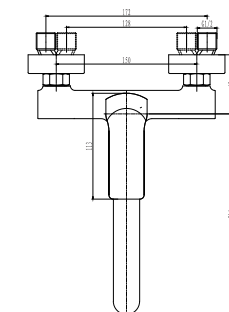


WALL TYPE SINK MIXER

SL210AV

Wall type sink mixer:
Two hole, single lever, swivel spout 214mm, G1/2" s-connectors adjustable from 128mm - 172mm centres, 35mm citec cartridge & easy-clean aerator, DZR brass, Ni-8-10 Cr: 0.25-0.3, EPDM o-rings.

SABS 1480 (BS EN 1286)



Citec cartridge

CITEC CARTRIDGES INCLUDE HIGH QUALITY CERAMIC DISKS WHICH ALLOW FOR SMOOTH ADJUSTMENT WHEN CHANGING THE TEMPERATURE & FLOW RATE OF THE WATER.

■
CITEC
CARTRIDGE
keramic patrone



Chrome finish

A SUPERIOR CHROMING TECHNIQUE PROVIDES A BEAUTIFUL AESTHETIC APPEARANCE, EXCELLENT CORROSION RESISTANCE & AN EASIER SURFACE TO CLEAN.

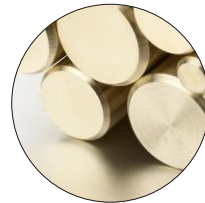
■
200 HOUR
CHROME
Chrome



DZR brass

HIGH-GRADE DZR BRASS IS RESISTANT TO DEZINCIFICATION, A FORM OF CORROSION. THIS ENSURES THE MEISSEN PRODUCTS HAVE BETTER LONGEVITY.

■
DZR
BRASS
dzt messing



450mm braided hoses

PROVIDES MORE THAN ADEQUATE LENGTH FOR THE INSTALLER IN ORDER TO CONNECT TO THE WATER INLET SUPPLY.

■
450MM BRAIDED
HOSES
Dehnbare
schläuche



Easy tubular fixations

PROVIDES THE INSTALLER WITH AN EASIER INSTALLATION; SIMPLY TIGHTEN THE FIXATION BY HAND. NO TOOLS REQUIRED.

■
EASY TUBULAR
FIXATION SET
röhrenförmig
fixierungen



15 YEAR GUARANTEE



Neoperl easy-clean aerator

ALLOWS FOR EASY CLEANING & REMOVAL OF DEBRIS CAUGHT IN THE AERATOR.

■
NEOPERL
AERATOR
belüfter







ALVAR GRAPHITE SERIES

Sophistication through simplicity.

Raffinesse durch Einfachheit.



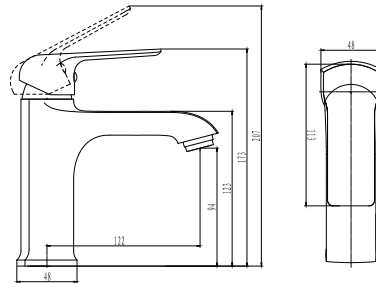


BASIN MIXER

SL220AVG

Deck type basin mixer:
One hole, single lever, easy-clean aerator, 35mm citec cartridge, tubular fixation kit, 2 x 450mmx15mm flexible connectors, DZR brass, EPDM o-rings. Anti-corrosive graphite finish.

SABS 1480 (BS EN 1286)

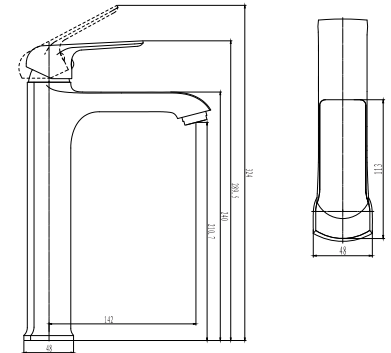


HIGH RISE BASIN MIXER

SL220AVLG

High rise basin mixer:
One hole, single lever, easy-clean aerator, 35mm citec cartridge, 2 x copper tube extensions, tubular fixation kit, 2 x 450mmx15mm flexible connectors, DZR brass, EPDM o-rings. Anti-corrosive graphite finish.

SABS 1480 (BS EN 1286)



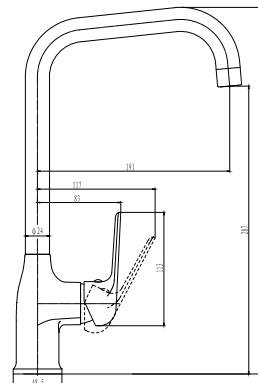
SINK MIXER

SL301AVG

Single lever sink mixer deck-type

Deck type sink mixer:
One hole, single lever, high swivel spout, easy-clean aerator, 35mm citec cartridge, tubular fixation kit, 2 x 450mmx15mm flexible connectors, DZR brass, EPDM o-rings. Anti-corrosive graphite finish.

SABS 1480 (BS EN 1286)



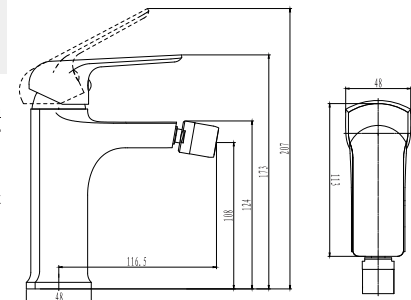
BIDET MIXER

SL240AVG

Single lever bidet mixer

Bidet mixer:
One hole, single lever, easy-clean aerator, 35mm citec cartridge, tubular fixation kit, 2 x 450mmx15mm flexible connectors, DZR brass, EPDM o-rings. Anti-corrosive graphite finish.

SABS 1480 (BS EN 1286)

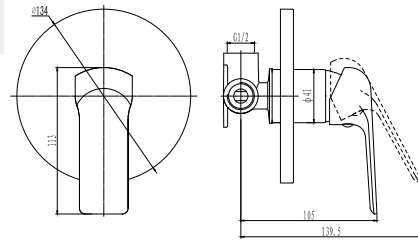


CONCEALED BATH / SHOWER MIXER



SL100AVG
Bath/Shower concealed mixer:
Sliding CP cover plate, 35mm citec cartridge, 2 x G1/2" FI inlets & 1 x G1/2" FI outlet, DZR brass, Ni: 8-10 Cr: 0.25-0.3, EPDM o-rings. Anti-corrosive graphite finish.

SABS 1480 (BS EN 1286)

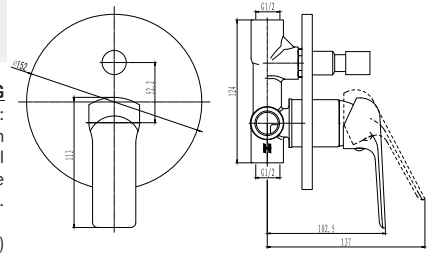


CONCEALED BATH / SHOWER DIVERTER MIXER



SL105AVG
Bath/Shower concealed diverter mixer:
Sliding CP cover plate, diverter push button, 35mm citec cartridge, 2 x G1/2" FI inlets & 2 x G1/2" FI outlets, DZR brass, EPDM o-rings. Anti-corrosive graphite finish.

SABS 1480 (BS EN 1286)

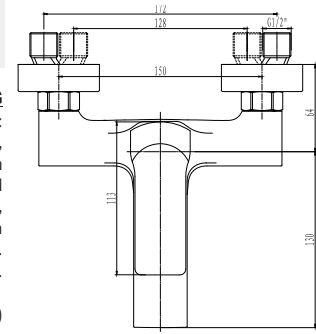


COMPLETE BATH MIXER




SL120AVWG
Exposed wall type bath mixer:
Two hole, single lever, with Diverter, G1/2" s-connectors adjustable from 128mm - 172mm centres. Supplied with hand shower, hose, wall bracket, 35mm citec cartridge, easy-clean aerator, DZR brass, EPDM o-rings. Anti-corrosive graphite finish.

SABS 1480 (BS EN 1286)

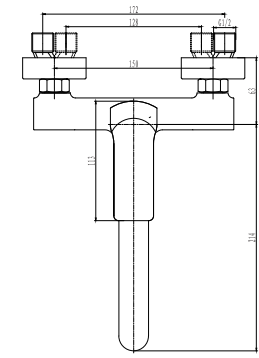


WALL TYPE SINK MIXER



SL210AVG
Wall type sink mixer:
Two hole, single lever, swivel spout 214mm, G1/2" s-connectors adjustable from 128mm - 172mm centres, 35mm citec cartridge & easy-clean aerator, DZR brass, EPDM o-rings. Anti-corrosive graphite finish.

SABS 1480 (BS EN 1286)

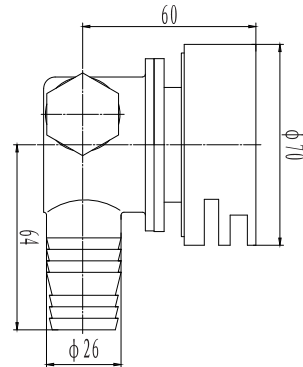




NIKKIE SPOUT

GNIKKIE
Round nikkie spout
Combination bath filler and overflow,
with G1/2" FI left or right inlet.

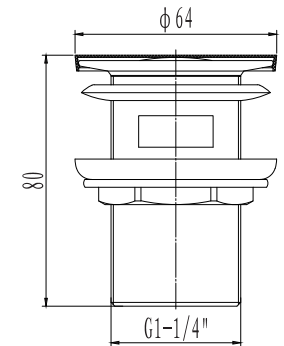
SABS 1480 (BS EN 1286)



POP UP SLOTTED BASIN WASTE

G4620POPS
Slotted pop up basin waste
32mm outlet with pop up Mechanism, including 2
x silicone washers, a brass backnut and an
overflow.

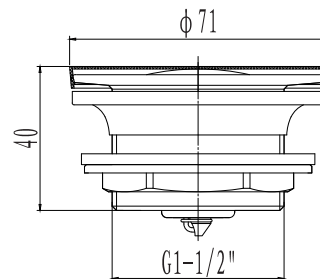
SABS 1480 (BS EN 1286)



POP UP BATH WASTE

G4560POP
Pop up bath waste
40mm outlet with pop up Mechanism,
including 2 x silicone washers & brass
backnut.

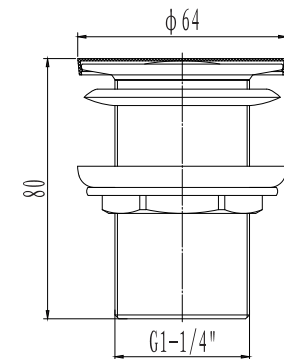
SABS 1480 (BS EN 1286)



POP UP UNSLOTTED BASIN WASTE

G4620POP
Pop up basin waste
32mm outlet with pop up Mechanism, including
2 x silicone washers & brass backnut.

SABS 1480 (BS EN 1286)



Citec cartridge

CITEC CARTRIDGES INCLUDE HIGH QUALITY CERAMIC DISKS WHICH ALLOW FOR SMOOTH ADJUSTMENT WHEN CHANGING THE TEMPERATURE & FLOW RATE OF THE WATER.

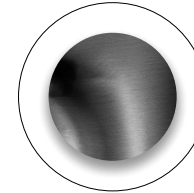
■
CITEC
CARTRIDGE
keramic patrone



Graphite finish

A SUPERIOR TECHNIQUE PROVIDES A BEAUTIFUL AESTHETIC & UNIQUE APPEARANCE. ANTI-CORROSIVE FINISH.

■
ANTI-CORROSIVE
GRAPHITE FINISH
Korrosionsschutz



DZR brass

HIGH-GRADE DZR BRASS IS RESISTANT TO DEZINCIFICATION, A FORM OF CORROSION. THIS ENSURES THE MEISSEN PRODUCTS HAVE BETTER LONGEVITY.

■
DZR
BRASS
dZR messing



450mm braided hoses

PROVIDES MORE THAN ADEQUATE LENGTH FOR THE INSTALLER IN ORDER TO CONNECT TO THE WATER INLET SUPPLY.

■
450MM BRAIDED
HOSES
Dehnbare
schläuche



Easy tubular fixations

PROVIDES THE INSTALLER WITH AN EASIER INSTALLATION; SIMPLY TIGHTEN THE FIXATION BY HAND. NO TOOLS REQUIRED.

■
EASY TUBULAR
FIXATION SET
röhrenförmig
fixierungen



5 YEAR GUARANTEE



Neoperl easy-clean aerator

ALLOWS FOR EASY CLEANING & REMOVAL OF DEBRIS CAUGHT IN THE AERATOR.

■
NEOPERL
AERATOR
belüfter







STERLYN SERIES

Sophistication through simplicity.

Raffinesse durch Einfachheit.



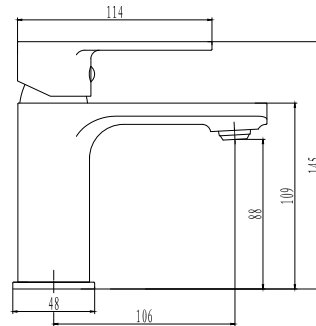


BASIN MIXER

SL220SN

Deck type basin mixer:
One hole, single lever, easy-clean aerator, 35mm citec cartridge, tubular fixation kit, 2 x 450mmx15mm flexible connectors, DZR brass, Ni: 8-10 Cr: 0.25-0.3, EPDM o-rings.

SABS 1480 (BS EN 1286)

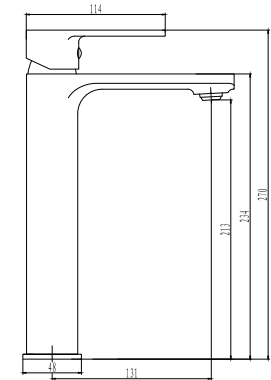


HIGH RISE BASIN MIXER

SL220SNL

High rise basin mixer:
One hole, single lever, easy-clean aerator, 35mm citec cartridge, 2 x copper tube extensions, tubular fixation kit, 2 x 450mmx15mm flexible connectors, DZR brass, Ni: 8-10 Cr: 0.25-0.3, EPDM o-rings.

SABS 1480 (BS EN 1286)

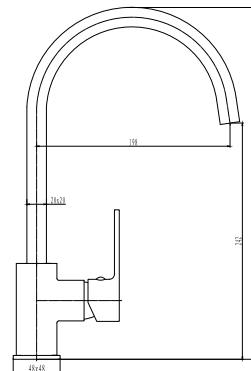


SINK MIXER

SL301SN

Deck type sink mixer:
One hole, single lever, high swivel spout, easy-clean aerator, 35mm citec cartridge, tubular fixation kit, 2 x 450mmx15mm flexible connectors, DZR brass, Ni: 8-10 Cr: 0.25-0.3, EPDM o-rings.

SABS 1480 (BS EN 1286)

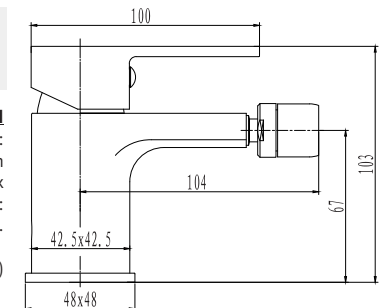


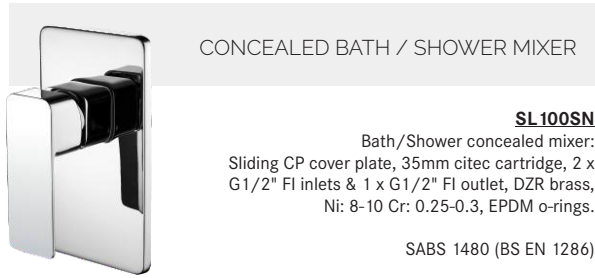
BIDET MIXER

SL240SN

Bidet mixer:
One hole, single lever, easy-clean aerator, 35mm citec cartridge, tubular fixation kit, 2 x 450mmx15mm flexible connectors, DZR brass, Ni: 8-10 Cr: 0.25-0.3, EPDM o-rings.

SABS 1480 (BS EN 1286)



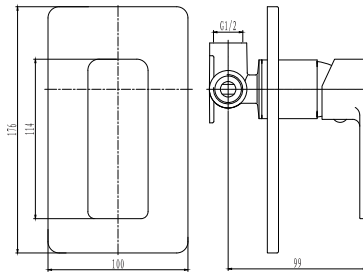


CONCEALED BATH / SHOWER MIXER

SL100SN

Bath/Shower concealed mixer:
Sliding CP cover plate, 35mm citec cartridge, 2 x G1/2" FI inlets & 1 x G1/2" FI outlet, DZR brass, Ni: 8-10 Cr: 0.25-0.3, EPDM o-rings.

SABS 1480 (BS EN 1286)

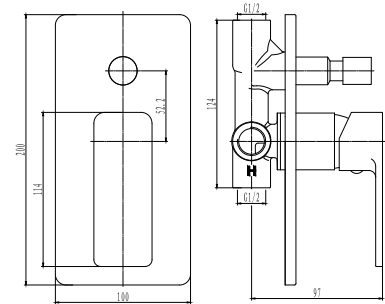


CONCEALED BATH / SHOWER DIVERTER MIXER

SL105SN

Bath/Shower concealed diverter mixer:
Sliding CP cover plate, diverter push button, 35mm citec cartridge, 2 x G1/2" FI inlets & 2 x G1/2" FI outlets, DZR brass, Ni: 8-10 Cr: 0.25-0.3, EPDM o-rings.

SABS 1480 (BS EN 1286)

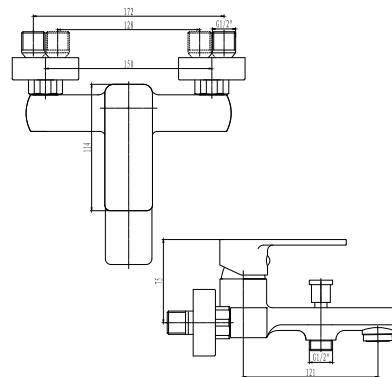


COMPLETE BATH MIXER

SL120SNW

Exposed wall type bath mixer:
Two hole, single lever, with Diverter, G1/2" s-connectors adjustable from 128mm - 172mm centres. Supplied with hand shower, hose, wall bracket, 35mm citec cartridge, easy-clean aerator, DZR brass, Ni: 8-10 Cr: 0.25-0.3, EPDM o-rings.

SABS 1480 (BS EN 1286)

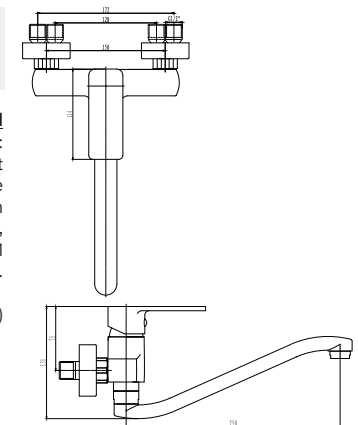


WALL TYPE SINK MIXER

SL210SN

Wall type sink mixer:
Two hole, single lever, swivel spout 250mm, G1/2" s-connectors adjustable from 128mm - 172mm centres, 35mm citec cartridge & easy-clean aerator, DZR brass, Ni: 8-10 Cr: 0.25-0.3, EPDM o-rings.

SABS 1480 (BS EN 1286)



Citec cartridge

CITEC CARTRIDGES INCLUDE HIGH QUALITY CERAMIC DISKS WHICH ALLOW FOR SMOOTH ADJUSTMENT WHEN CHANGING THE TEMPERATURE & FLOW RATE OF THE WATER.

■
CITEC
CARTRIDGE
keramic patrone



Chrome finish

A SUPERIOR CHROMING TECHNIQUE PROVIDES A BEAUTIFUL AESTHETIC APPEARANCE, EXCELLENT CORROSION RESISTANCE & AN EASIER SURFACE TO CLEAN.

■
200 HOUR
CHROME
Chrome



DZR brass

HIGH-GRADE DZR BRASS IS RESISTANT TO DEZINCIFICATION, A FORM OF CORROSION. THIS ENSURES THE MEISSEN PRODUCTS HAVE BETTER LONGEVITY.

■
DZR
BRASS
dzt messing



Base plate

USED TO ALLOW FOR BETTER COVERAGE OF BASIN TAP HOLE.

■
ADDITIONAL
BASE PLATE
Grundplatte



Easy tubular fixations

PROVIDES THE INSTALLER WITH AN EASIER INSTALLATION; SIMPLY TIGHTEN THE FIXATION BY HAND. NO TOOLS REQUIRED.

■
EASY TUBULAR
FIXATION SET
röhrenförmig
fixierungen



450mm braided hoses

PROVIDES MORE THAN ADEQUATE LENGTH FOR THE INSTALLER IN ORDER TO CONNECT TO THE WATER INLET SUPPLY.

■
450MM BRAIDED
HOSES
Dehnbare
schläuche



Neoperl swivel easy-clean aerator

ALLOWS THE USER TO ORIENTATE THE FLOW DIRECTION & EASILY CLEAN.

■
NEOPERL SWIVEL
EASY CLEAN AERATOR
belüfter



15 YEAR GUARANTEE







STERLYN DOUBLE BLACK SERIES

Sophistication through simplicity.

Raffinesse durch Einfachheit.



Penlee

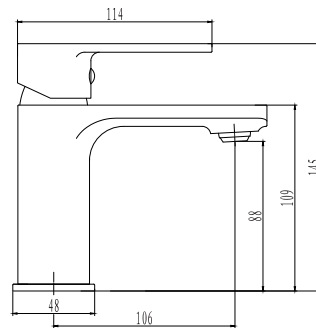


BASIN MIXER

SL220SN

Deck type basin mixer:
One hole, single lever, easy-clean aerator, 35mm citec cartridge, tubular fixation kit, 2 x 450mmx15mm flexible connectors, DZR brass, Ni: 8-10 Cr: 0.25-0.3, EPDM o-rings.

SABS 1480 (BS EN 1286)

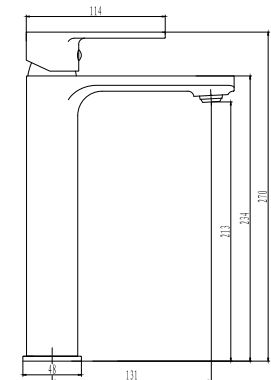


HIGH RISE BASIN MIXER

SL220SNL

High rise basin mixer:
One hole, single lever, easy-clean aerator, 35mm citec cartridge, 2 x copper tube extensions, tubular fixation kit, 2 x 450mmx15mm flexible connectors, DZR brass, Ni: 8-10 Cr: 0.25-0.3, EPDM o-rings.

SABS 1480 (BS EN 1286)

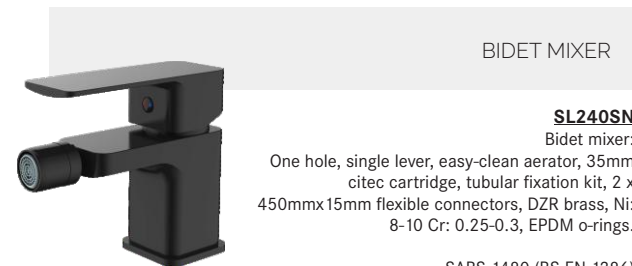
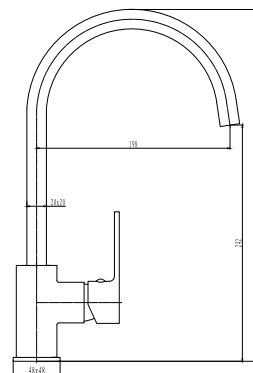


SINK MIXER

SL301SN

Deck type sink mixer:
One hole, single lever, high swivel spout, easy-clean aerator, 35mm citec cartridge, tubular fixation kit, 2 x 450mmx15mm flexible connectors, DZR brass, Ni: 8-10 Cr: 0.25-0.3, EPDM o-rings.

SABS 1480 (BS EN 1286)

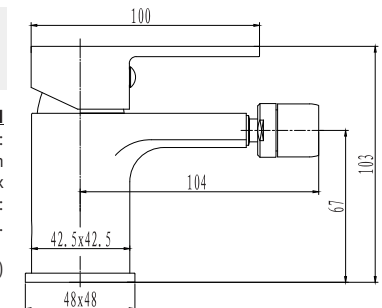


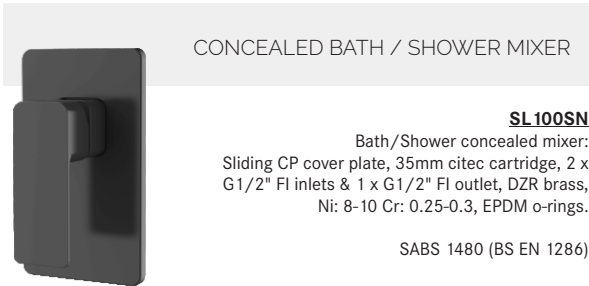
BIDET MIXER

SL240SN

Bidet mixer:
One hole, single lever, easy-clean aerator, 35mm citec cartridge, tubular fixation kit, 2 x 450mmx15mm flexible connectors, DZR brass, Ni: 8-10 Cr: 0.25-0.3, EPDM o-rings.

SABS 1480 (BS EN 1286)



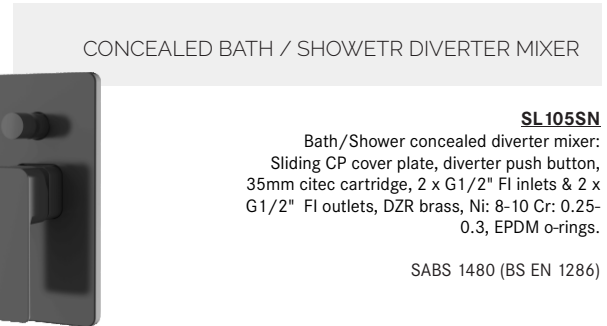
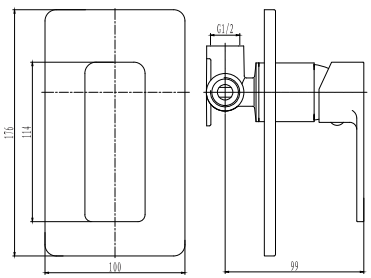


CONCEALED BATH / SHOWER MIXER

SL100SN

Bath/Shower concealed mixer:
Sliding CP cover plate, 35mm citec cartridge, 2 x G1/2" FI inlets & 1 x G1/2" FI outlet, DZR brass, Ni: 8-10 Cr: 0.25-0.3, EPDM o-rings.

SABS 1480 (BS EN 1286)

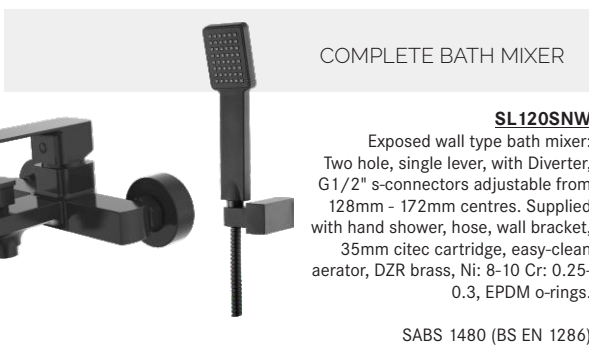
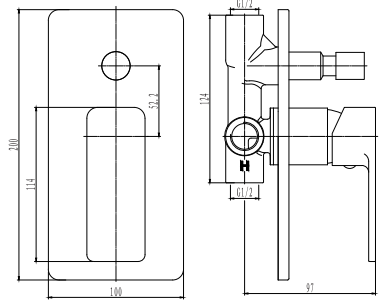


CONCEALED BATH / SHOWER DIVERTER MIXER

SL105SN

Bath/Shower concealed diverter mixer:
Sliding CP cover plate, diverter push button, 35mm citec cartridge, 2 x G1/2" FI inlets & 2 x G1/2" FI outlets, DZR brass, Ni: 8-10 Cr: 0.25-0.3, EPDM o-rings.

SABS 1480 (BS EN 1286)

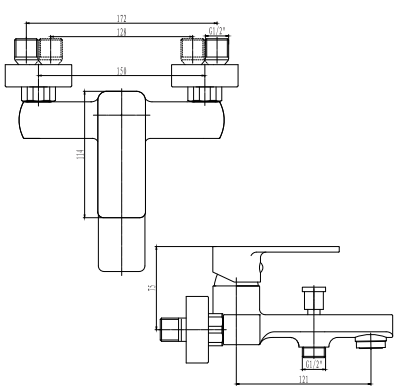


COMPLETE BATH MIXER

SL120SNW

Exposed wall type bath mixer:
Two hole, single lever, with Diverter, G1/2" s-connectors adjustable from 128mm - 172mm centres. Supplied with hand shower, hose, wall bracket, 35mm citec cartridge, easy-clean aerator, DZR brass, Ni: 8-10 Cr: 0.25-0.3, EPDM o-rings.

SABS 1480 (BS EN 1286)

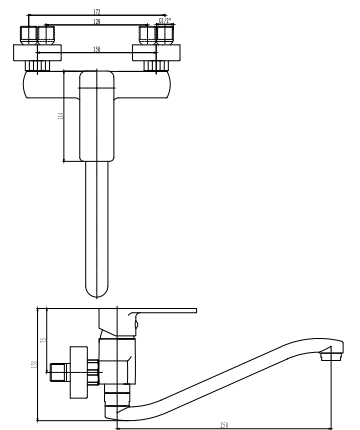


WALL TYPE SINK MIXER

SL210SN

Wall type sink mixer:
Two hole, single lever, swivel spout 250mm, G1/2" s-connectors adjustable from 128mm - 172mm centres, 35mm citec cartridge & easy-clean aerator, DZR brass, Ni: 8-10 Cr: 0.25-0.3, EPDM o-rings.

SABS 1480 (BS EN 1286)



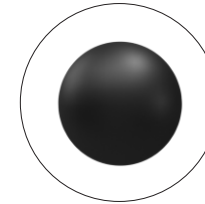
Citec cartridge

CITEC CARTRIDGES INCLUDE HIGH QUALITY CERAMIC DISKS WHICH ALLOW FOR SMOOTH ADJUSTMENT WHEN CHANGING THE TEMPERATURE & FLOW RATE OF THE WATER.



Double Black finish

A SUPERIOR TECHNIQUE PROVIDES A BEAUTIFUL AESTHETIC & UNIQUE APPEARANCE. ANTI-CORROSIVE FINISH.



DZR brass

HIGH-GRADE DZR BRASS IS RESISTANT TO DEZINCIFICATION, A FORM OF CORROSION. THIS ENSURES THE MEISSEN PRODUCTS HAVE BETTER LONGEVITY.



Base plate

USED TO ALLOW FOR BETTER COVERAGE OF BASIN TAP HOLE.



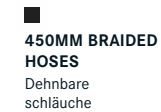
Easy tubular fixations

PROVIDES THE INSTALLER WITH AN EASIER INSTALLATION; SIMPLY TIGHTEN THE FIXATION BY HAND. NO TOOLS REQUIRED.



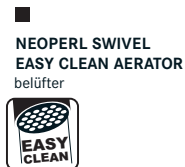
450mm braided hoses

PROVIDES MORE THAN ADEQUATE LENGTH FOR THE INSTALLER IN ORDER TO CONNECT TO THE WATER INLET SUPPLY.



Neoperl swivel easy-clean aerator

ALLOWS THE USER TO ORIENTATE THE FLOW DIRECTION & EASILY CLEAN.



5 YEAR GUARANTEE





RAW MATERIAL

Ceramic discs

Our cartridges use high precision technical sintered ceramic discs with high wear resistance. Flatness of contact surfaces and accurated roughness for correct lubrication maintain the service life of the cartridges above current standards.

Material in contact with water

All material in contact with water is certified by international norms such as ACS (France), KTW&W270 (Germany), Watermark (Australia), NSF (USA), WRAS (UK), etc.

All material in water does not cause any modification in water quality, appearance or taste.

Plastic raw material

The structure of the cartridge such as cartridge cover, base and lever, are manufactured using advanced engineering plastics. That has an amorphous molecular structure that provides excellent heat resistance to acids and alkalis; mechanical properties which provides to the cartridge strong and stability.

The inside parts, which provide the movement for the ceramic mixers (using special POM with MoS₂), provides excellent fatigue endurance, friction, abrasion and wear characteristics; and also bring smooth hardness to the movement and extend cartridge life.



ditec



**Neoperl is a german company, and the worlds leading aerator company.
The neoperl easy-clean aerator allows for easy cleaning & removal
Of debris caught in the aerator, with simple gentle rub.**

PERFORMANCE

The aerator is a key component in the overall performance of the faucet.
The aerator determines how the water is delivered to the user.
Meissen's ranges of faucets utilize the best aerator technologies available.

GERMAN / SWISS TECHNOLOGY

All of Meissen's ranges use Neoperl aerators. Each with
different features and benefits for functionality and efficiency.

FEATURES AND BENEFITS

Neoperl aerators have 3 functions:

1. To aerate the stream of water, Softening the feel of water and giving the perception of a heavier volume of water by adding air. (water saving).
2. Acts as a filter, catching any sediment, lime scale and debris which has passed through the cartridge. The Onex, Alvar and Tresar ranges have an easy to clean functionality. Simply rub the face of the aerator to extract the captured solids. The Sterlyn range has an added adjustable multi-directional, easy-clean aerator.
3. Flow rate: All basin mixers with easy-clean and directional control technology are limited to 6l/minute. This can be reduced further on special request.



FROM NEOPERL THEMSELVES

The research & development department in Mullheim (Germany) is our "innovation engine." In our first-class state-of-the-art facilities we develop competitive solutions tailored to the multifaceted needs of our international clients. To do so, we rely on the valuable input provided by our customers and partners. Together, we keep exploring - and pushing - the boundaries of the technically feasible and thus develop tomorrow's solutions today. In order to secure our landing position quality-wise, we rely on automation to the greatest possible extent, while every single production step is subject to an integrated, 100% quality control process.

WWW.NEOPERL.NET





EDGE SERIES

Sophistication through simplicity.

Raffinesse durch Einfachheit.



Perfekte

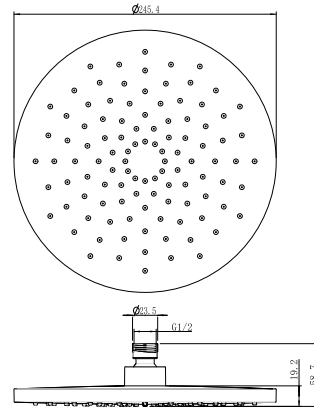

EDGE MIELA

series



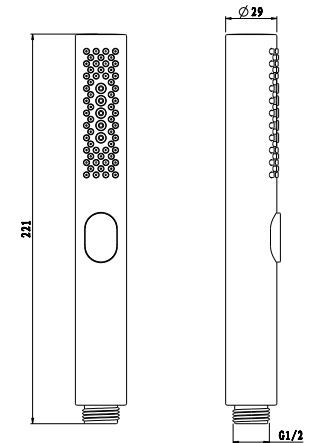

245mm ROUND SHOWER ROSE

MMSRR1
200mm round shower rose
Water saving rose with 6L flowrate restrictor.

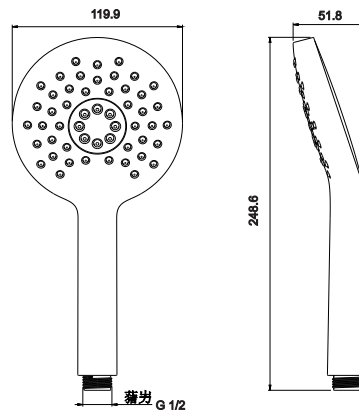

TUBULAR HAND SHOWER

MMHST3
Multifunction hand shower,
120 Ø 3-fuction symmetrical flow pattern,
TPE nozzles, 6L flow rate restrictor (optional),
1/2" thread, EPDM washer, ABS
Chrome plated: Ni:8-10, Cr:0,25-0.3

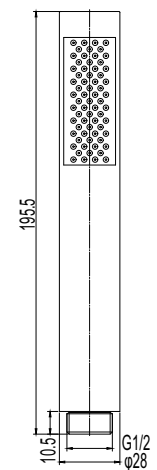
ROUND HAND SHOWER

MMHSR3
Multifunction hand shower,
120 Ø 3-fuction symmetrical flow pattern,
TPE nozzles, 6L flow rate restrictor (optional),
1/2" thread, EPDM washer, ABS
Chrome plated: Ni:8-10, Cr:0,25-0.3

TUBULAR GRAPHITE HAND

MS-HS006-GM
Single function hand shower,
28 Ø symmetrical flow pattern,
TPE nozzles, 6L flow rate restrictor (optional),
1/2" thread, EPDM washer, Solid brass
Graphite finish.



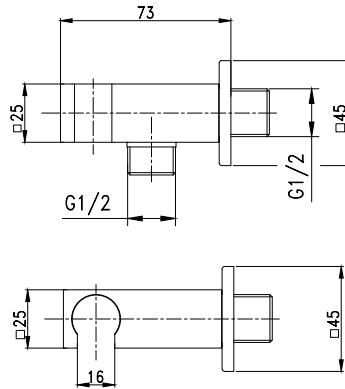
EDGE MIELA

series



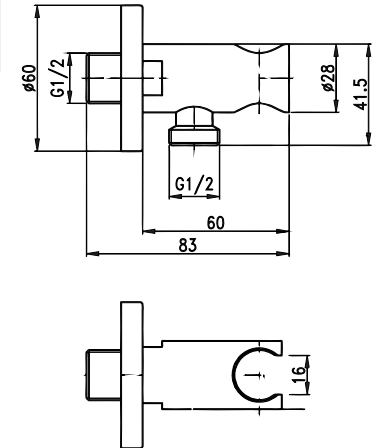
SQUARE SHOWER ELBOW & CRADLE

MMSESC
 Square shower elbow & cradle
 1/2" outlet with cradle for hand shower,
 CP flange, Solid brass,
 Chrome plated: Ni:8-10, Cr: 0,25-0,3



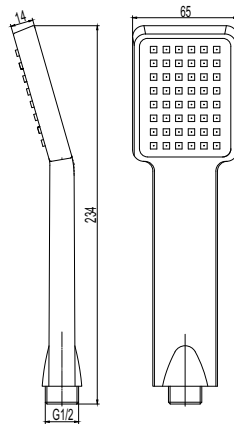
ROUND SHOWER ELBOW & CRADLE

MMSERC
 Round shower elbow & cradle
 1/2" outlet with cradle for hand shower,
 CP flange, Solid brass,
 Chrome plated: Ni:8-10, Cr: 0,25-0,3



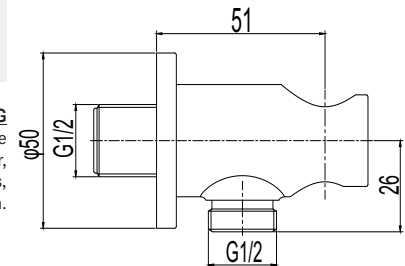
STERLYN DOUBLE BLACK HAND SHOWER

MS-ZY-S600-BP1
 Single function hand shower,
 28 Ø symmetrical flow pattern,
 TPE nozzles, 6L flow rate restrictor (optional),
 1/2" thread, EPDM washer, ABS,
 Double black finish.



GRAPHITE ROUND SHOWER ELBOW & CRADLE

EWO12RG
 Round shower elbow & cradle
 1/2" outlet with cradle for hand shower,
 CP flange, Solid brass,
 Graphite finish.



EDGE MIELA

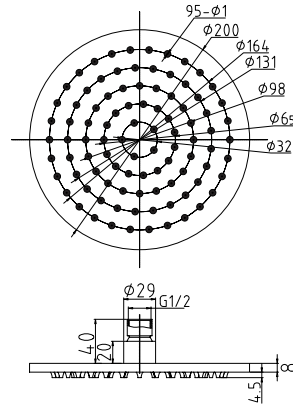
series

GRAPHITE ROUND SHOWER ROSE



MSRG200
200mm round shower rose,
Water saving rose with 6L flowrate
restrictor, solid brass,
Graphite finish.

SABS 1480 (BS EN 1286)

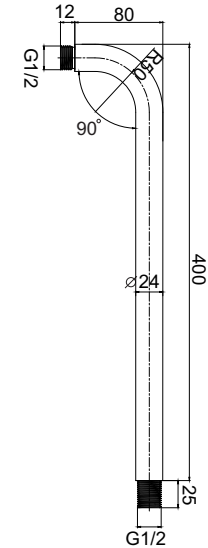


GRAPHITE ROUND SHOWER ARM



MSAG1
400mm round shower arm,
304 stainless steel cover plate,
Graphite finish.

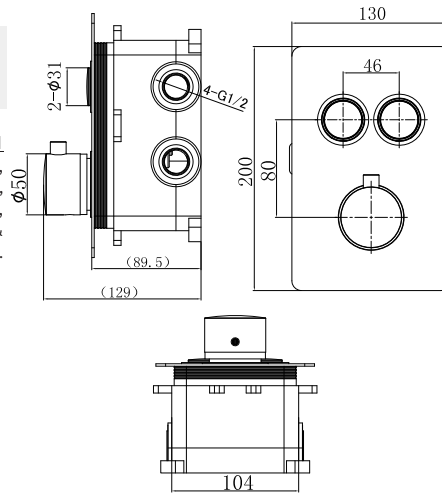
SABS 1480 (BS EN 1286)



THERMOSTATIC DIVERTER MIXER



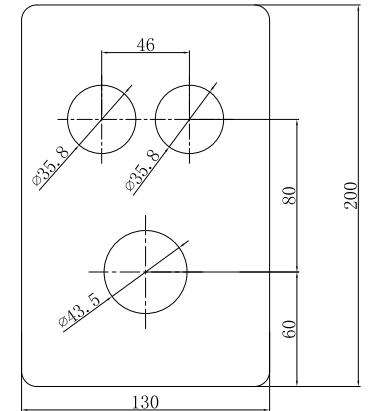
MS-ZY-S600-BP1
Thermostatic temperature select mixer,
Thermostatic valve with safety lock at 38 °C,
Flow function diverter buttons,
Includes installation box &
chrome plated cover plate.



THERMOSTATIC GRAPHITE & DOUBLE
BLACK COVER PLATES



S-PT105EG & S-PT105EDB



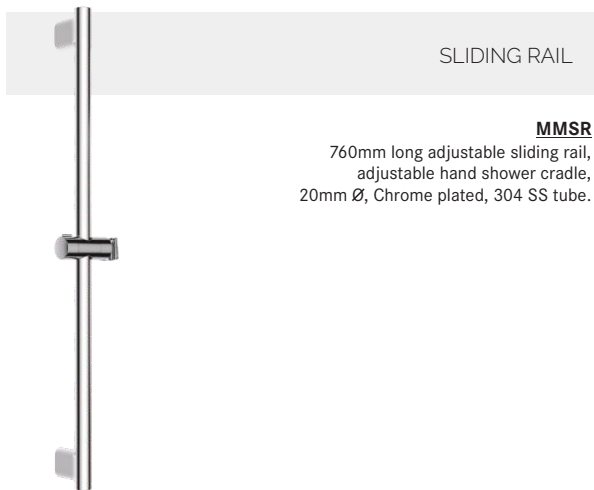
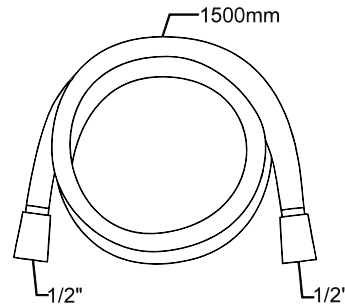
EDGE MIELA

series



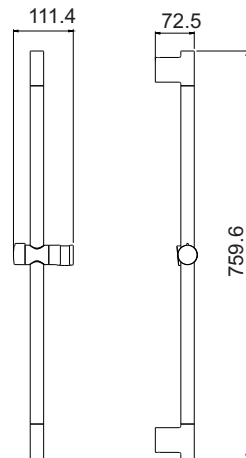
1.5M PLATINUM HOSE

MMPH1.5
1.5m long shower hose,
PE anti-corrosive aesthetic sleeve,
includes 2 x silicone washers.



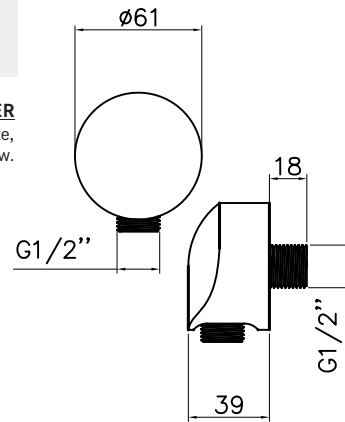
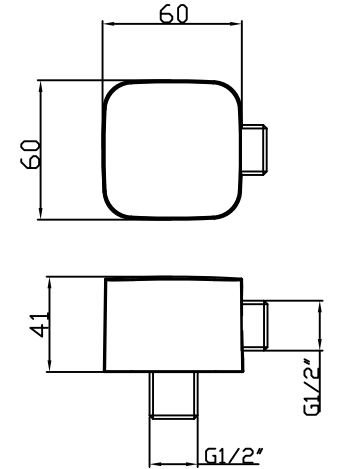
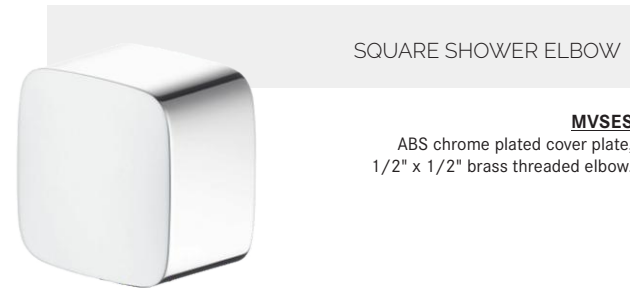
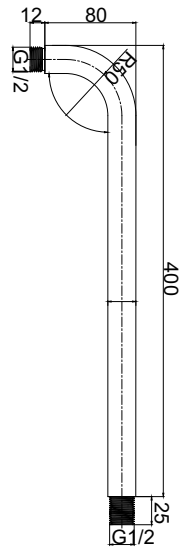
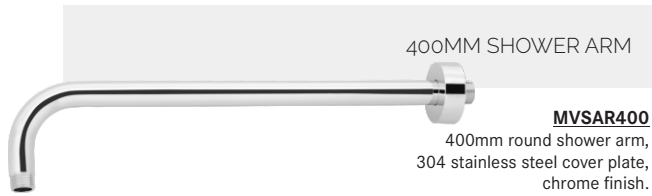
SLIDING RAIL

MMSR
760mm long adjustable sliding rail,
adjustable hand shower cradle,
20mm Ø, Chrome plated, 304 SS tube.



EDGE VOS

series

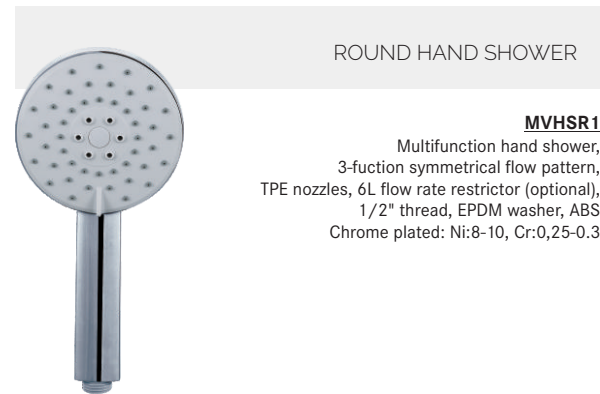
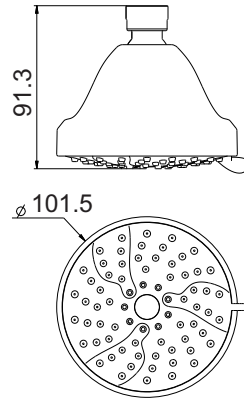


EDGE VOS
series



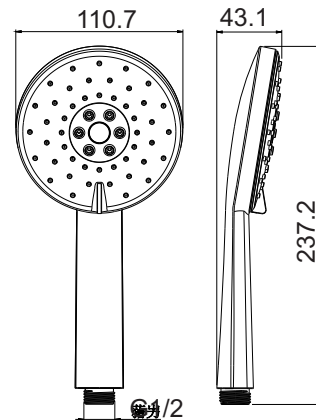
100MM SHOWER ROSE

MVSRR3
100mm round shower rose
symmetrical flow pattern,
TPE nozzles, 6L flow rate restrictor (optional),
1/2" thread, EPDM washer, ABS
Chrome plated: Ni:8-10, Cr:0,25-0.3



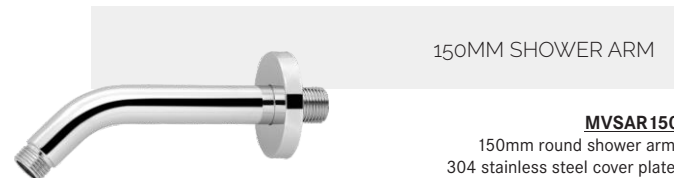
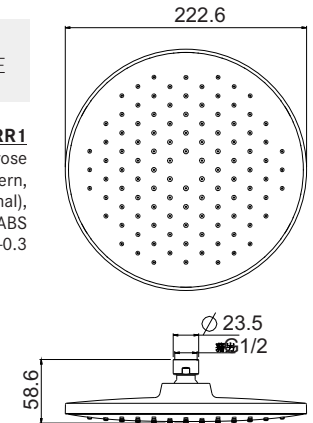
ROUND HAND SHOWER

MVHSR1
Multifunction hand shower,
3-fuction symmetrical flow pattern,
TPE nozzles, 6L flow rate restrictor (optional),
1/2" thread, EPDM washer, ABS
Chrome plated: Ni:8-10, Cr:0,25-0.3



220MM ROUND SHOWER ROSE

MVSRR1
220mm round shower rose
symmetrical flow pattern,
TPE nozzles, 6L flow rate restrictor (optional),
1/2" thread, EPDM washer, ABS
Chrome plated: Ni:8-10, Cr:0,25-0.3



150MM SHOWER ARM

MVSAR150
150mm round shower arm,
304 stainless steel cover plate,
chrome finish.

