

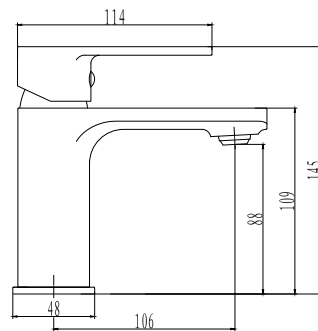


BASIN MIXER

**SL220SNB**

Deck type basin mixer:  
One hole, single lever, easy-clean aerator, 35mm citec cartridge, tubular fixation kit, 2 x 450mmx15mm flexible connectors, DZR brass, Ni: 8-10 Cr: 0.25-0.3, EPDM o-rings.

SABS 1480 (BS EN 1286)

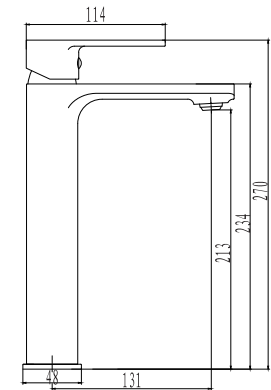


HIGH RISE BASIN MIXER

**SL220SNLB**

High rise basin mixer:  
One hole, single lever, easy-clean aerator, 35mm citec cartridge, 2 x copper tube extensions, tubular fixation kit, 2 x 450mmx15mm flexible connectors, DZR brass, Ni: 8-10 Cr: 0.25-0.3, EPDM o-rings.

SABS 1480 (BS EN 1286)

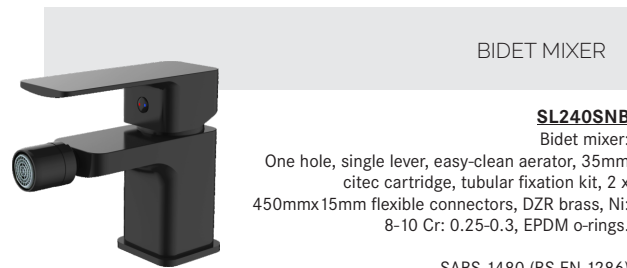
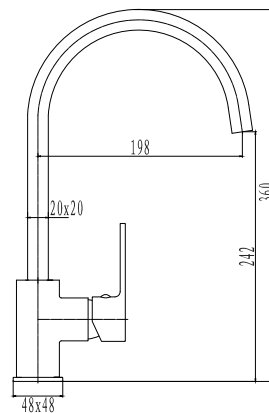


SINK MIXER

**SL301SNB**

Deck type sink mixer:  
One hole, single lever, high swivel spout, easy-clean aerator, 35mm citec cartridge, tubular fixation kit, 2 x 450mmx15mm flexible connectors, DZR brass, Ni: 8-10 Cr: 0.25-0.3, EPDM o-rings.

SABS 1480 (BS EN 1286)

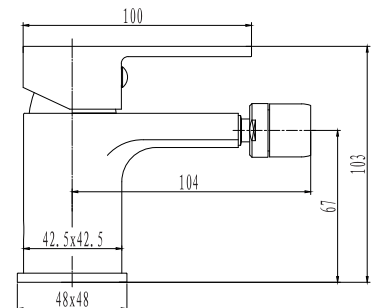


BIDET MIXER


**SL240SNB**

Bidet mixer:  
One hole, single lever, easy-clean aerator, 35mm citec cartridge, tubular fixation kit, 2 x 450mmx15mm flexible connectors, DZR brass, Ni: 8-10 Cr: 0.25-0.3, EPDM o-rings.

SABS 1480 (BS EN 1286)

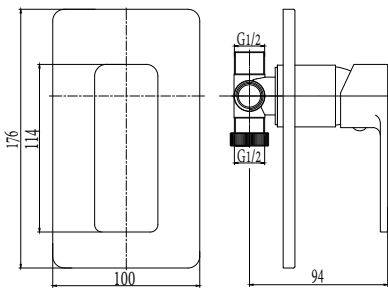


**CONCEALED BATH / SHOWER MIXER**




**SL100SNB**  
Bath/Shower concealed mixer:  
Sliding CP cover plate, 35mm citec cartridge,  
4 way ports, 2 x 1/2" MI inlets & 2 x 1/2" MI  
outlets, DZR brass, Ni: 8-10 Cr: 0.25-0.3,  
EPDM o-rings.

SABS 1480 (BS EN 1286)

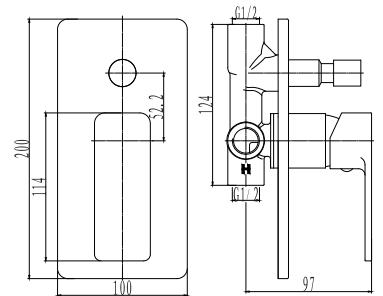


**CONCEALED BATH / SHOWER DIVERTER MIXER**



**SL105SNB**  
Bath/Shower concealed diverter mixer:  
Sliding CP cover plate, diverter push button,  
35mm citec cartridge, 2 x G1/2" FI inlets & 2 x  
G1/2" FI outlets, DZR brass, Ni: 8-10 Cr: 0.25-  
0.3, EPDM o-rings.

SABS 1480 (BS EN 1286)

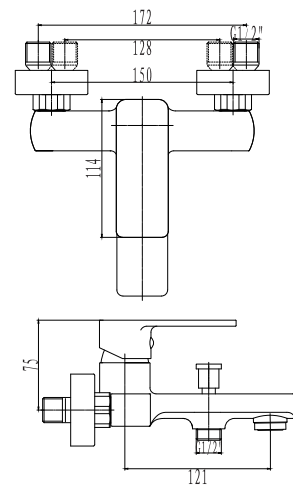


**COMPLETE BATH MIXER**



**SL120SNWB**  
Exposed wall type bath mixer:  
Two hole, single lever, with  
Diverter, G1/2" s-connectors  
adjustable from 128mm -  
172mm centres. Supplied with  
hand shower, hose, wall bracket,  
35mm citec cartridge, easy-  
clean aerator, DZR brass, Ni: 8-  
10 Cr: 0.25-0.3, EPDM o-rings.

SABS 1480 (BS EN 1286)

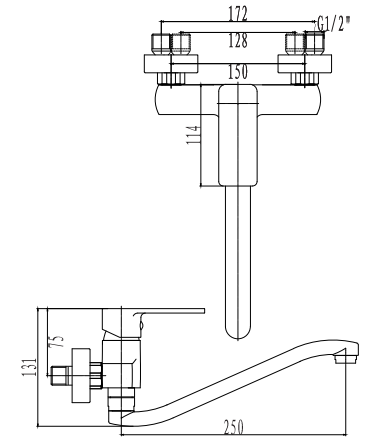


**WALL TYPE SINK MIXER**



**SL210SNB**  
Wall type sink mixer:  
Two hole, single lever, swivel spout  
250mm, G1/2" s-connectors adjustable  
from 128mm - 172mm centres, 35mm  
citec cartridge & easy-clean aerator,  
DZR brass, Ni: 8-10 Cr: 0.25-0.3, EPDM  
o-rings.

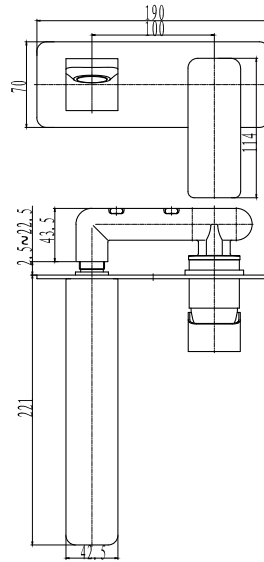
SABS 1480 (BS EN 1286)





**SL220SNWB**  
Wall mounted basin mixer:  
35mm citec cartridge, DZR brass,  
double black finish.

SABS 1480 (BS EN 1286)



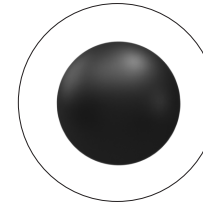
### 1. Citec cartridge

CITEC CARTRIDGES INCLUDE HIGH QUALITY CERAMIC DISKS WHICH ALLOW FOR SMOOTH ADJUSTMENT WHEN CHANGING THE TEMPERATURE & FLOW RATE OF THE WATER.



### 5. Double Black finish

A SUPERIOR TECHNIQUE PROVIDES A BEAUTIFUL AESTHETIC & UNIQUE APPEARANCE. ANTI-CORROSIVE FINISH.



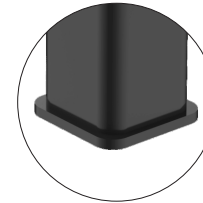
### 2. DZR brass

HIGH-GRADE DZR BRASS IS RESISTANT TO DEZINCIFICATION, A FORM OF CORROSION. THIS ENSURES THE MEISEN PRODUCTS HAVE BETTER LONGEVITY.



### 6. Base plate

USED TO ALLOW FOR BETTER COVERAGE OF BASIN TAP HOLE.



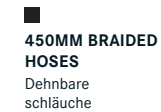
### 3. Easy tubular fixations

PROVIDES THE INSTALLER WITH AN EASIER INSTALLATION; SIMPLY TIGHTEN THE FIXATION BY HAND. NO TOOLS REQUIRED.



### 7. 450mm braided hoses

PROVIDES MORE THAN ADEQUATE LENGTH FOR THE INSTALLER IN ORDER TO CONNECT TO THE WATER INLET SUPPLY.



### 4. Neoperl swivel easy-clean aerator

ALLOWS THE USER TO ORIENTATE THE FLOW DIRECTION & EASILY CLEAN.



5 YEAR GUARANTEE



